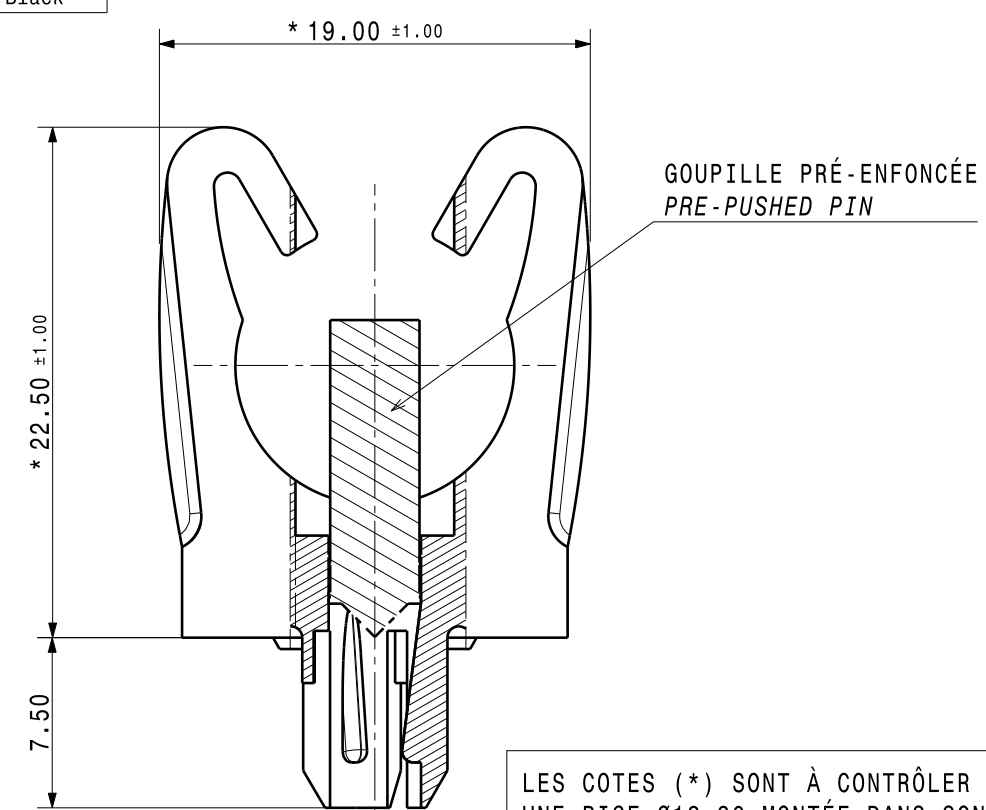


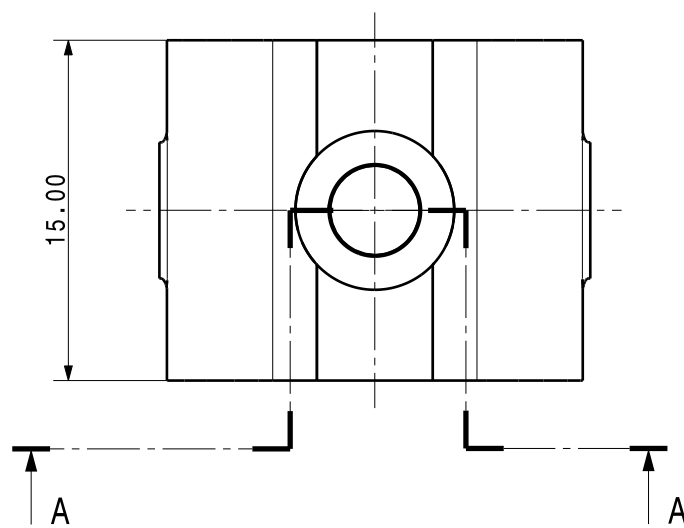
Variant	Matière / Material	Traitement / Material treatments	Finition / Finishes
01	PA 6 HI BK Ultramid B3L Noir 00464	REPRISE D'HUMIDITE 2% MINI 2% mini of Humidity rework	Noir Black
02	PA 66 IH BK Zytel 450 HSLX-BK 152	REPRISE D'HUMIDITE 2% MINI 2% mini of Humidity rework	Noir Black
03	PA 6 HI NC Ultramid B3L incolore	REPRISE D'HUMIDITE 2% MINI 2% mini of Humidity rework	Naturel Natural
04	PA 6 HI BK Ultramid B3L Noir 00464	REPRISE D'HUMIDITE 4% MINI 4% mini of Humidity rework	Noir Black

COUPE A-A  
A-A SECTION



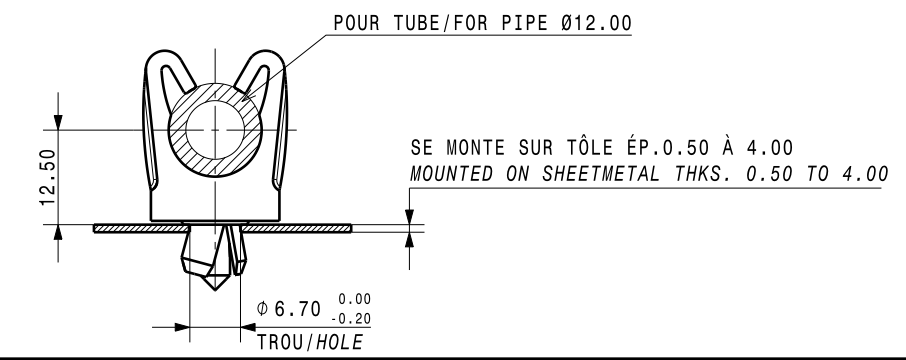
LES COTES (\*) SONT À CONTRÔLER AVEC  
UNE PIGE Ø12.30 MONTÉE DANS SON LOGEMENT

(\* ) DIMENSIONS MUST BE MEASURED WITH  
GAUGE Ø12.30 PUT IN PLACE



Une consultation préalable de A.Raymond SARL est nécessaire pour toute mise en place de la pièce en automatique.  
Automatic processing of the part requires prior consultation with A.Raymond SARL.

EXEMPLE D'UTILISATION Ech. 1:1  
CONDITION OF USE Scale 1:1

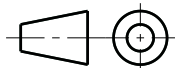


**ARaymond** 

113 cours Berriat BP 157  
France - 38019 Grenoble cedex 1  
Tel +33 (0) 4 76 33 49 49  
Fax +33 (0) 4 76 78 20 50

Si problème de compréhension, merci de demander la version française à ARaymond avant toute utilisation.  
"CONDITIONS OF USE"

This drawing and all information (the "Drawing") disclosed are the exclusive property of A.Raymond. By using this Drawing the Addressee acknowledges and accepts that this Drawing (1) is covered by A.Raymond intellectual property rights or know-how and (2) is provided under the following conditions who represent a Deposit Agreement. This Drawing is for Addressee internal use only limited to its estimation. Without prior written consent of A.Raymond, no permission or rights for any purpose, is hereby granted, such as, without any limitation, (1) the copy, in part or entirely (2) and/or the presentation, in part or entirely, to any other third party outside the Addressee company or in the company but with no interest (3) and/or the distribution of the Drawings, in part or entirely, in any medium (4) and/or the creation of any derivative work. In case of breach of these conditions, Addressee shall indemnify A.Raymond from and against all damages (compensatory or consequential), costs, expenses and charges, caused or arising out of or attributable to its willful misconduct, fraud, negligence, infringement of A.Raymond Intellectual Property rights. If the Addressee does not accept these conditions, please notify A.Raymond sender immediately.

Intellectual property rights		Classification code <b>BADB-</b>	
N° Projet / Project No.	Origine / Origin <b>063350-0-Aa</b>	Chef de projet / Project Manager <b>GIRAUD.S</b>	
Echelle / scale <b>1:1</b>	Format <b>A3</b>	Tolerance / General tolerance Dimension Angle <b>± 0.50 ± 5.00°</b>	Date <b>19.10.1971</b>
		ALL DIMENSIONS ARE IN MILLIMETERS	Realise / Prepared by <b>CARRETERO.F</b>
Epaisseur / Mat. thickness		Volume (mm³) <b>3202</b>	Poids / Weight (g) <b>3,5</b>

Finition / finish  
See parts list  
Voir tableau

Traitement structural / Material treatment  
See parts list  
Voir tableau

Matière / Material  
See parts list  
Voir tableau

Libelle / Title  
**Support tube  
POUR TUBE Ø12  
Pipe clip  
FOR TUBE Ø12**

Reference / Part no.  
**063350-0-01**

Drawing type  
**C-Customer**

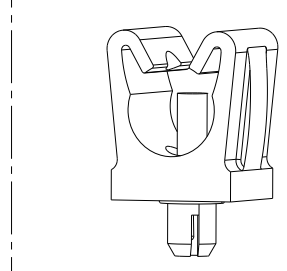
Ref. client / Customer part no.  
CAD system & version **CATIA V5 R19 SP9**  
Nom fichier / File name **063350-0C01**

Planche / Sheet **1/1**

Ge	Quant.	Index / revision description	Date	Name
-		CRÉATION DU PLAN CLIENT SUR CATIA / CREATION OF CUSTOMER DRAWING ON CATIA CAD	08.10.13	FCA

VERIFIER L ECHELLE APRES PHOTOCOPIE / BEWARE SCALE AFTER COPY

VUE ISOMÉTRIQUE Ech. 1:1  
ISOMETRIC VIEW Scale 1:1



<http://www.cergy-vis.fr>

**[CERGY-VIS]**

ET SI ON PARLAIT SERVICE