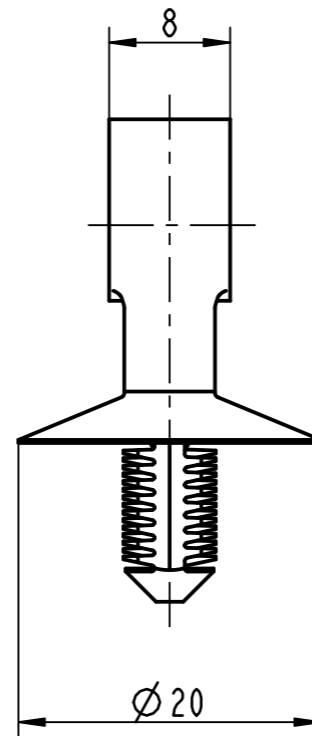
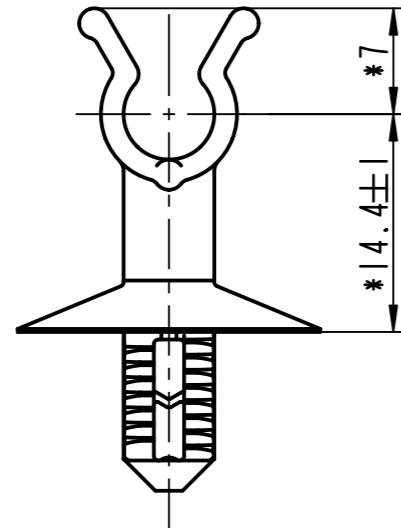
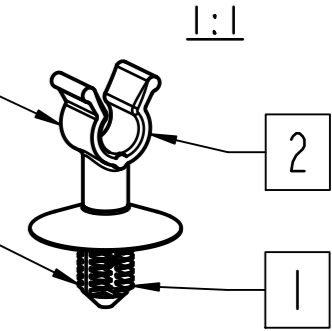


* Mass ist bei eingedrücktem
Pruefstift $\varnothing 6$ zu messen
dimension must be measured with
preassembled test pin $\varnothing 6$

Abzugskraft vom POM-Gegenstueck
mind. 80N bei Raumtemperatur
Pull-off force of POM-counterpart
min. 80N at room temperature $+23^{\circ} \pm 5K$



passend fuer Rohr- oder Schlauch- $\varnothing 6 \dots \varnothing 6.5$
applicable for pipe- or hose diameter 6 ... 6.5



Befest. - Loch = $\varnothing 6,5^{+0.2}$
Fastening hole
Befest. - Dicke = 0,8 ... 6
Fastening thickness

-	-	-	-	-
-	-	-	-	-
-	-	-	-	-
-	-	-	-	-

Ab	-	Zeichnung ueberarbeitet nach AR-Gruppenstandard, Teil unveraendert	15.11.12	kl
Rev.	Anzahl/ quantity	Aenderungsbeschreibung / modification description	Datum/date	Name

ARaymond
A RAYMOND GmbH & Co. KG

Teichstrasse 57
Germany - 79511 Loerrach
Phone +49 (0) 7621 174-0
Fax +49 (0) 7621 174-225

Bei Verstaendnisproblemen beantragen Sie bitte beim Absender die deutsche Fassung vor jeder Anwendung.
"CONDITIONS OF USE"
This drawing and all information (the "Drawing") disclosed are the exclusive property of ARaymond.
By using this Drawing the Addressee acknowledge and accept that this Drawing
(1) is covered by ARaymond' intellectual property rights or know-how and
(2) is provided under the following conditions who represent a Deposit Agreement.
This Drawing is for Addressee' Internal use only limited to its estimation.
Without prior written consent of ARaymond, no permission or rights for any purpose, is hereby granted, such as, without any limitation,
(1) the copy, in part or entirely
(2) and/or the presentation, in part or entirely, to any other third party outside the Addressee' company or in the company but with no interest
(3) and/or the distribution of the Drawing, in part or entirely, in any medium
(4) and/or the creation of any derivative work.
In case of breach of these conditions, Addressee shall indemnify ARaymond from and against all damages (compensatory or consequential),
costs, expenses and charges, caused or arising out of or attributable to its willful misconduct, fraud, negligence, infringement of
ARaymond' intellectual property rights. If the Addressee does not accept these conditions, please notify ARaymond' sender immediately.

Schutzrechte/ IP rights	vorbehalten / all rights reserved		Classification Code	BADA-
Ersatz fuer/ substitutue for	081790-0C00/Aa/17.03.2010	Entw.Ref./ dev.ref.	Projekt-Nr./ project no.	5691-K

Masstab/ scale	Format	Allgemeintoleranz/ general tolerance	Datum/ date	15.11.2012
2:1	A3	$\pm 0.5 / \pm 5^{\circ}$	Erstellt von/ prepared by	Klar

Projektion / projection	ALL DIMENSIONS ARE IN MILLIMETERS	Freigegeben/ approved	20121115105330	
Bleeddicke/ mat. thickness DIN EN 10140	-	Volumen/ volume (mm ³)	895	Gewicht/ weight (g)
				1.3

Oberfl./ finish	-	Oberfl. Code/ finish code	-
--------------------	---	------------------------------	---

Werkstoffbehandl./ material treatment	-
--	---

Werkstoff/ material	-	Mat. code	8800
------------------------	---	-----------	------

Benennung/
title **Aufnahme / Schlauchhalter drehbar**
connector / hose clip rotatable

Teil-Nr./ part no.	081790-0-00	Drawing type	C:Customer
-----------------------	-------------	--------------	------------

Kundenteile-Nr. / customer part no.	-	Blatt / sheet	1 / 1
CAD system & version	ProE WF4	Dateiname / filename	081790-0C00



2	1	018457-0-00	POM - C - Standard	schwarz black	SW	7000
1	1	017050-0-02	POM - Standard	schwarz black	SW	
Pos.	Anzahl/ quantity	Teil-Nr. / part. no.	Werkstoff / material	Oberflaeche / Farbe / finish / colour	ZSB_Oberfl. Code finish code	