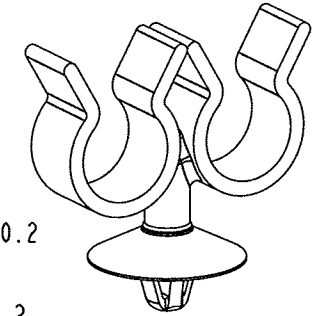


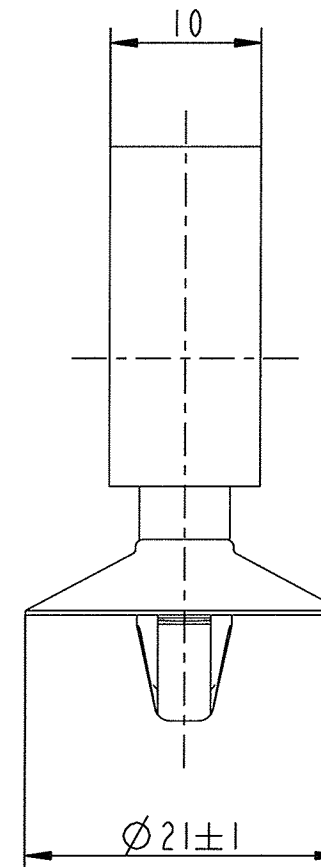
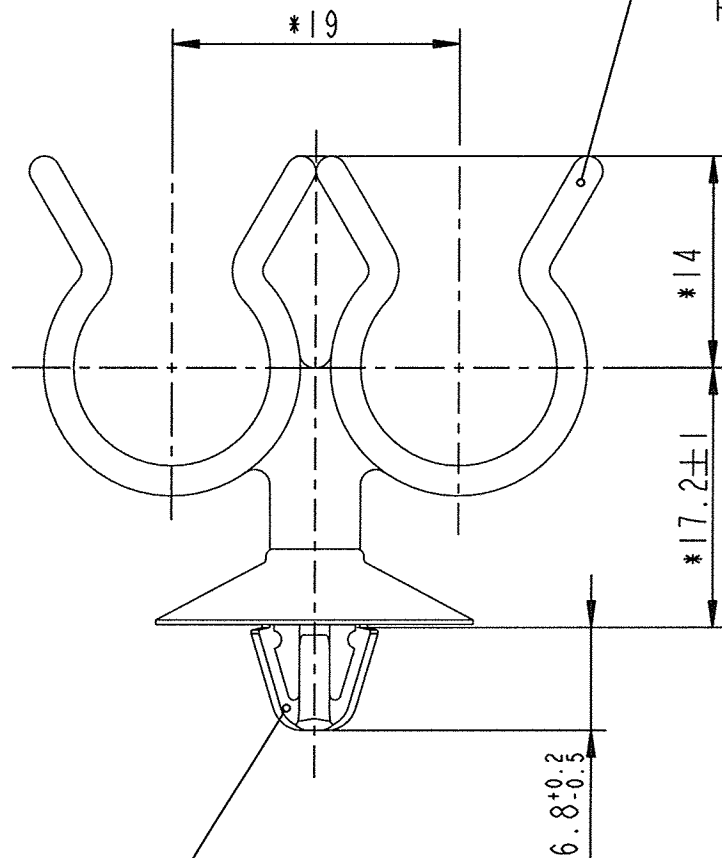
* Masse sind bei eingedruckten
Pruefstiften 2x Ø13 zu messen
dimensions must be measured with
preassembled test pin 2x Ø13

1:1




Befest. - Loch = $\varnothing 6,5 \pm 0,2$
Fastening hole
Befest. - Dicke = 0.5 ... 3
Fastening thickness

Teil-Nr./Part.-No.: 014570 003
fuer Rohr- oder Schlauch- 2x Ø13 ... Ø14
applicable for pipe-or hose- 2x Ø13 ... Ø14
Werkstoff / Material:
POM - C - Standard



Teil-Nr./Part.-No.: 175036 000
Aufnahmebolzen / connector bolt
Werkstoff / Material:
PA 6 - schlagzaeh / impact strength

-	-	-	-	-
-	-	-	-	-
-	-	-	-	-
-	-	-	-	-
-	-	-	-	-
Ba	-	Indexreform SAP / keine Teileaenderung	10.02.10	kl
Ind.	kommt vor/ how often	Beschreibung / Description	Datum/Date	Name

Aenderungen / Modifications				
 A. Raymond GmbH & Co. KG				
Format DIN A3		SPEZIALBEFESTIGUNGSSYSTEME WELTWEIT / ENGINEERED FASTENERS WORLDWIDE		

Bei Verstaendnisproblemen beantragen Sie bitte beim Absender die deutsche Fassung vor jeder Anwendung.
"CONDITIONS OF USE"
This drawing and all information (the "Drawing") disclosed are the exclusive property of A.Raymond. By using this Drawing the Addressee acknowledge and accept that this Drawing (1) is covered by A.Raymond' intellectual property rights or know-how and (2) is provided under the following conditions who represent a Deposit Agreement. This Drawing is for Addressee' internal use only limited to its estimation. Without prior written consent of A.Raymond, no permission or rights for any purpose, is hereby granted, such as, without any limitation, (1) the copy, in part or entirely (2) and/or the presentation, in part or entirely, to any other third party outside the Addressee' company or in the company but with no interest (3) and/or the distribution of the Drawing, in part or entirely, in any medium (4) and/or the creation of any derivative work. In case of breach of these conditions, Addressee shall indemnify A.Raymond from and against all damages (compensatory or consequential), costs, expenses and charges, caused or arising out of or attributable to its willful misconduct, fraud, negligence, infringement of A.Raymond' Intellectual Property rights. If the Addressee does not accept these conditions, please notify A.Raymond' sender immediately.

Dateiname/ Filename	CAD-PE: 081873_C_01				
Ersatz fuer/ Substitute for	81 873.800 Index 2 vom 04.07.2001	Proj.-Nr./ Proj.-No.	21614-K	RASCH- Code	BBDA-
		Vol.(mm ³)	-	Gewicht/ Weight (g)	3.9

Schutzrechte/
Patent rights vorbehalten / all rights reserved

Gepr./ App.	F.-gepr./ Produktion	Q.-gepr./ Quality	S.-gepr./ Patent app.
Masstab / Scale	Allgem.Tol. wenn nicht anders angegeben/ General tol. unless otherwise specified	Datum/ Date	10.02.2010
2:1	±0.5 / ±5°	Gez./ Drawn	Klar <i>kl</i>

Oberflaechenbehandlg./ Finish	-	Kennzahl/ Code number	-
----------------------------------	---	--------------------------	---

Werkstoffbehandlg./ Material treatment	-	Blehdicke/ Mat.Thickn. DIN EN 10 140	-
---	---	--	---

Werkstoff/ Material	siehe Zeichnung see drawing	Mat.-Code	8800
------------------------	--------------------------------	-----------	------

Benennung/
Partname
Aufnahmebolzen / Schlauchhalter drehbar
connector bolt / hose clip rotatable

081873 000	schwarz black	SW	7000
Teil-Nr. / Part-No.	Oberflaeche / Farbe / Finish / colour	Kennzahl/ Code number	
	Ausfuehrung / Execution		

Teil-Nr./ Part-No.	081873 000	C
-----------------------	------------	---

