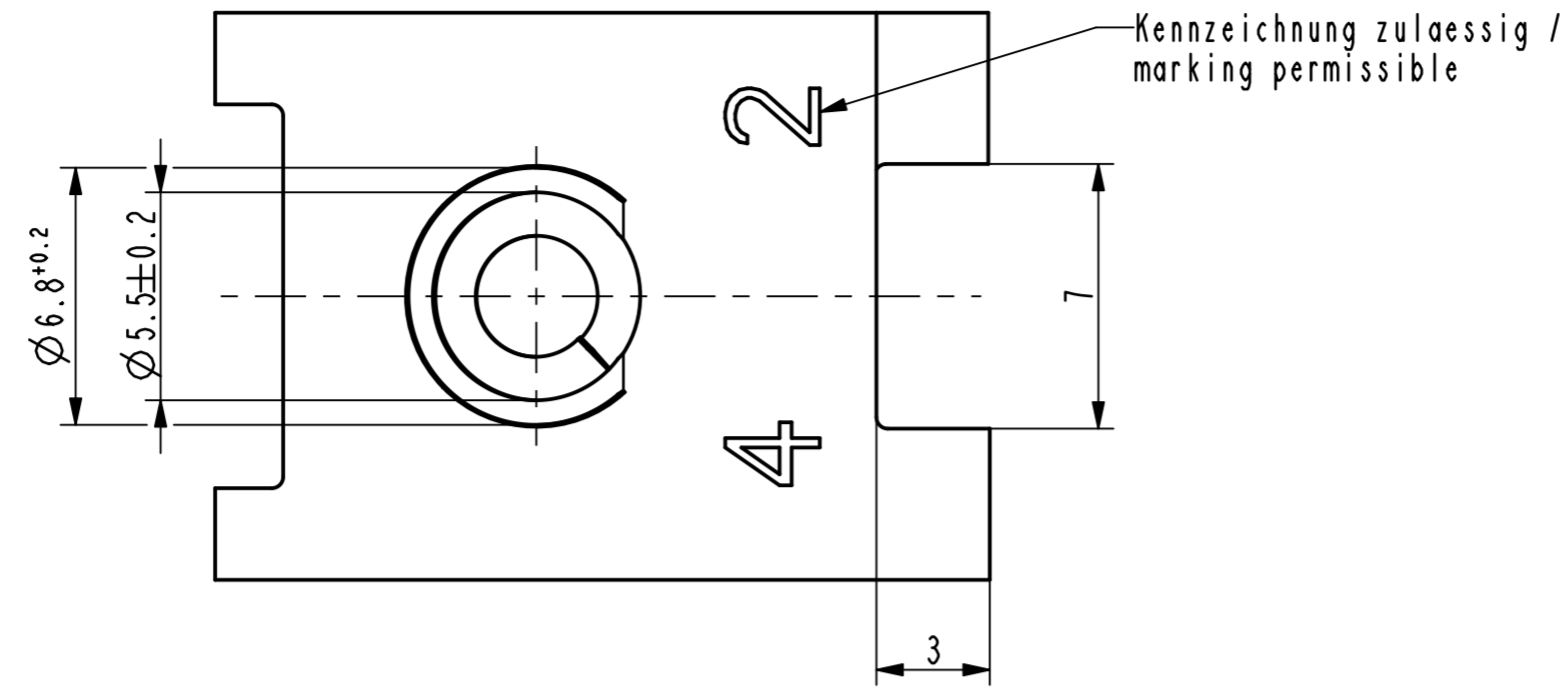
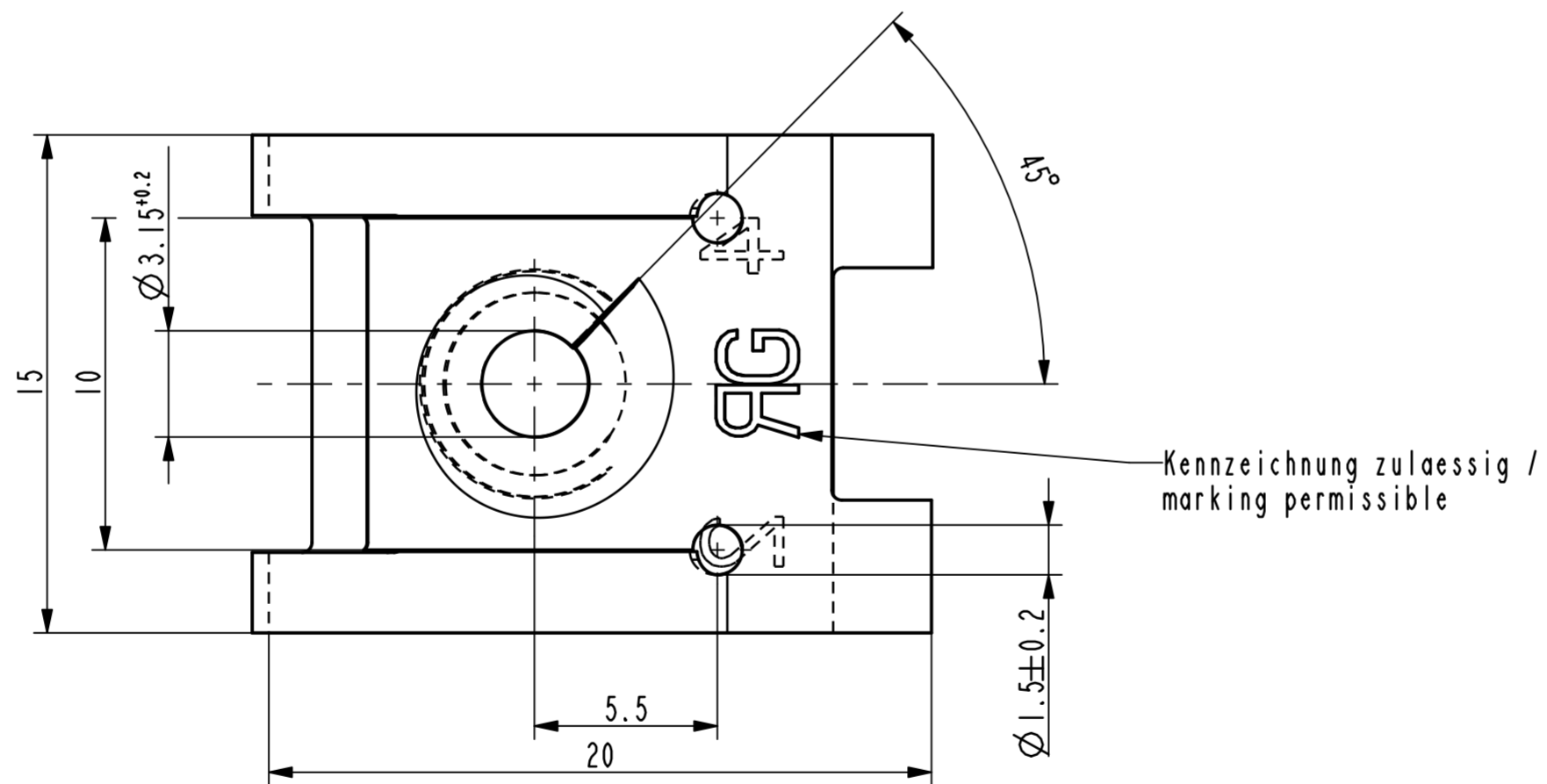
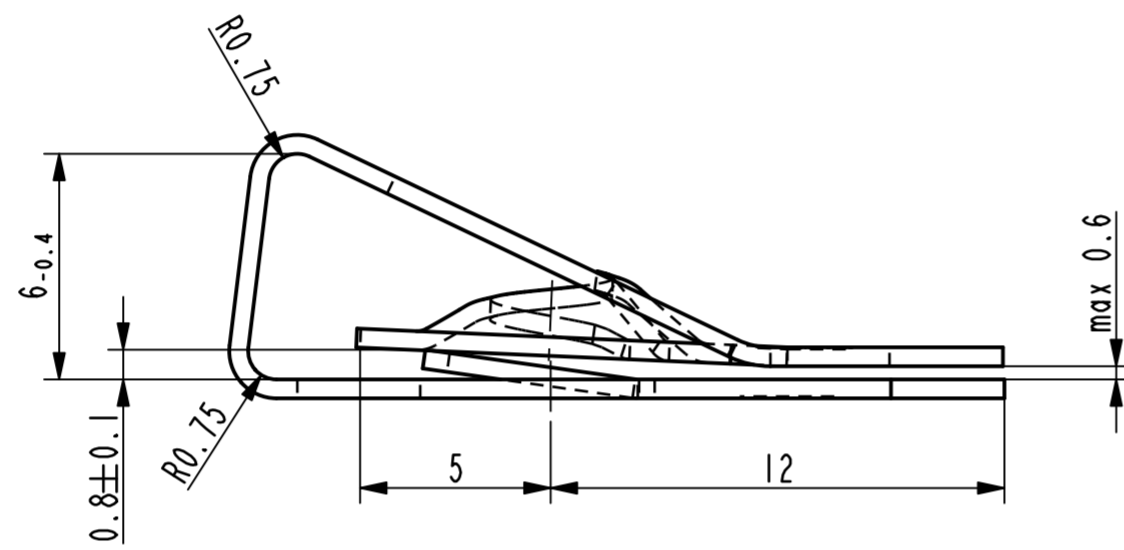


max. Schrauben-Drehmoment / max torque: 2.5 ... 3 Nm

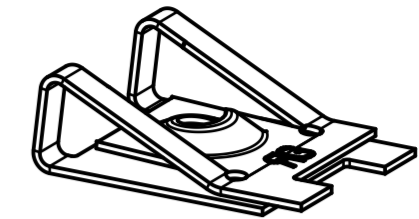


Kennzeichnung zulaessig / marking permissible

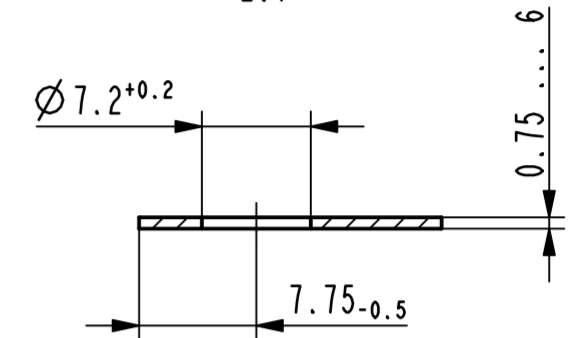


Kennzeichnung zulaessig / marking permissible

Vor Auslegung einer automatisierten Verarbeitung des Teils sollte Ruecksprache mit Fa. A.Raymond gehalten werden. Fully automatic processing of the part requires prior consultation with A.Raymond GmbH.



3D-Ansicht / isometrical view 2:1



Einbausituation / assembly situation 2:1

Ab	-	Oberflaechenvariante entfernt (3000, 3300)	17.12.10	mj
Rev.	Anzahl/ quality	Aenderungsbeschreibung / modification description	Datum/date	Name



Teichstrasse 57  
Germany - 79511 Loerrach  
Phone +49 (0) 7621 174-0  
Fax +49 (0) 7621 174-225

Bei Verstaendnisproblemen beantragen Sie bitte beim Absender die deutsche Fassung vor jeder Anwendung.  
"CONDITIONS OF USE"  
This drawing and all information (the "Drawing") disclosed are the exclusive property of A.Raymond. By using this Drawing the Addressee acknowledges and accepts that this Drawing (1) is covered by A.Raymond' intellectual property rights or know-how and (2) is provided under the following conditions who represent a Deposit Agreement. This Drawing is for Addressee' internal use only limited to its estimation. Without prior written consent of A.Raymond, no permission or rights for any purpose, is hereby granted, such as, without any limitation, (1) the copy, in part or entirely, (2) and/or the presentation, in part or entirely, to any other third party outside the Addressee' company or in the company but with no interest (3) and/or the distribution of the Drawing, in part or entirely, in any medium (4) and/or the creation of any derivative work. In case of breach of these conditions, Addressee shall indemnify A.Raymond from and against all damages (compensatory or consequential), costs, expenses and charges, caused or arising out of or attributable to its willful misconduct, fraud, negligence, infringement of A.Raymond' intellectual property rights. If the Addressee does not accept these conditions, please notify A.Raymond' sender immediately.

Intellectual property rights	vorbehalten / all rights reserved			Classification code	AABAD	
Ersatz fuer/ substitute for	013039.c.01/Aa/12.07.2006	Entw.Ref./ dev.ref.	17.12.2010	Projekt-Nr./ project no.	29076-EM	
Masstab/ scale	5:1	Format	A2	Erstellt von/ prepared by	M. Junge	
Projektion / projection	ALL DIMENSIONS ARE IN MILLIMETERS		Freigegeben/ approved	20101217070757		
Blechklaetzel/ mat. thickness DIN EN 10140	0.50	Volumen/ volume (mm³)	245.6	Gewicht/ weight (g)	2.0	
Oberfl./ finish	verzinkt / passiviert farblos zinc plated / passivated colourless				Oberfl. Code/ finish code	3250
Werkstoffbehandl./ material treatment	zwischenstufenverguetet / austempered 375 ... 475 HV 5					
Werkstoff/ material	C67S DIN EN 10132-4				Mat. code	1000
Bezeichnung/ title	<b>Mehrbereichsblechmutter</b> fuer Gewinde EN ISO 1478 - ST4.2 <b>sheet metal nut</b> for thread EN ISO 1478 - ST4.2					
Teil-Nr./ part no.	013039-0-03			Drawing type		C:Customer
Kundenteile-Nr. / customer part no.	-			Blatt / sheet		1 / 1
CAD system & version	ProE WF4		Dateiname / filename			013039-0C00



Teil-Nr. / part no.	Oberflaeche / Farbe / finish / colour	Oberfl. Code/ finish code
Ausfuhrung / Execution		