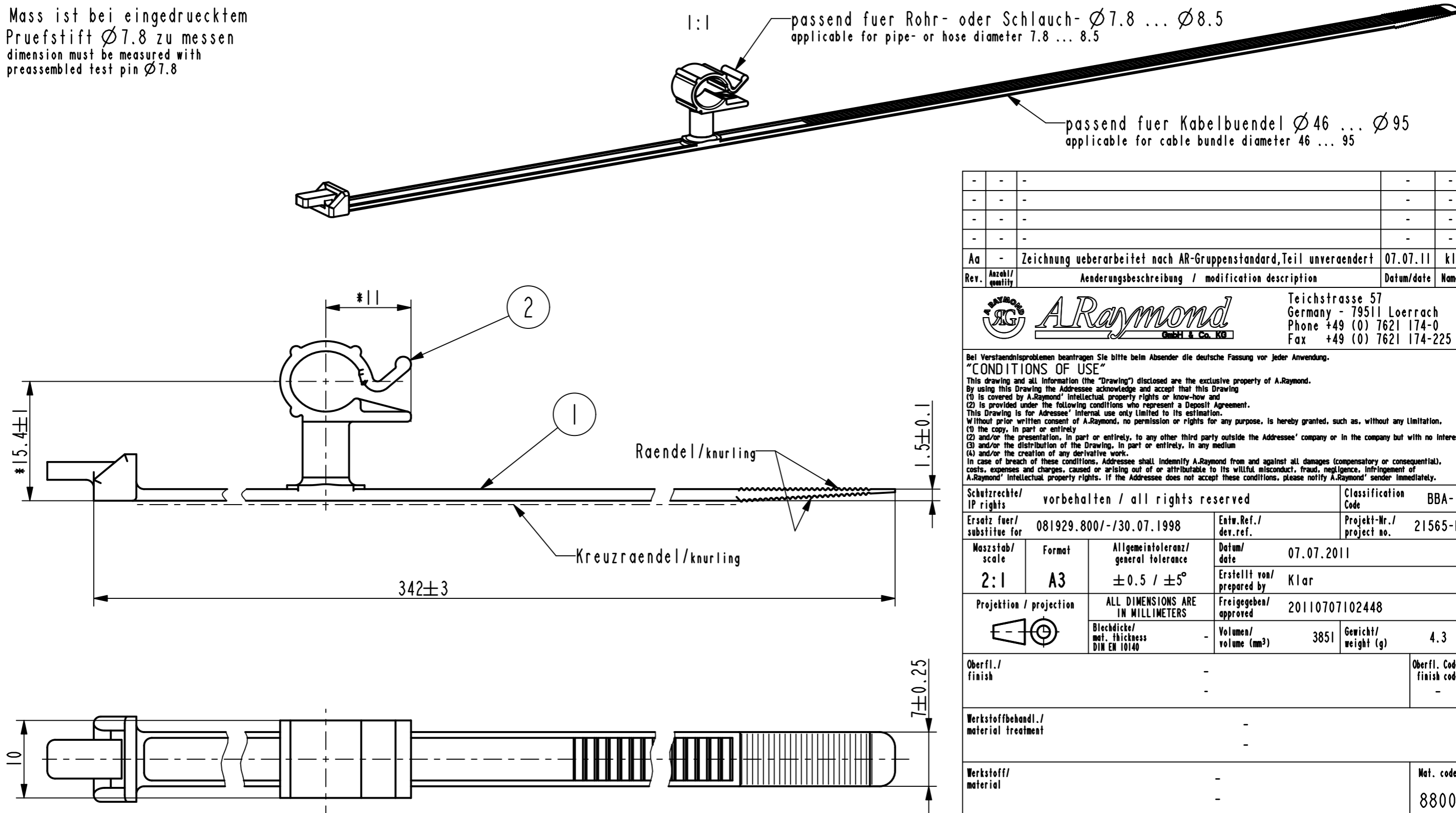


* Mass ist bei eingedrucktem Pruefstift $\varnothing 7.8$ zu messen
dimension must be measured with preassembled test pin $\varnothing 7.8$



Rev.	Anzahl/quantity	Aenderungsbeschreibung / modification description	Datum/date	Name
Aa	-	Zeichnung ueberarbeitet nach AR-Gruppenstandard, Teil unveraendert	07.07.11	kl

A Raymond GmbH & Co. KG
Teichstrasse 57
Germany - 79511 Loerrach
Phone +49 (0) 7621 174-0
Fax +49 (0) 7621 174-225

Bei Verstaendnisproblemen beantragen Sie bitte beim Absender die deutsche Fassung vor jeder Anwendung.
"CONDITIONS OF USE"
This drawing and all information (the "Drawing") disclosed are the exclusive property of A.Raymond. By using this Drawing the Addressee acknowledges and accepts that this Drawing (1) is covered by A.Raymond' intellectual property rights or know-how and (2) is provided under the following conditions who represent a Deposit Agreement. This Drawing is for Addressee' internal use only limited to its estimation. Without prior written consent of A.Raymond, no permission or rights for any purpose, is hereby granted, such as, without any limitation, (1) the copy, in part or entirely, (2) and/or the presentation, in part or entirely, to any other third party outside the Addressee' company or in the company but with no interest (3) and/or the distribution of the Drawing, in part or entirely, in any medium (4) and/or the creation of any derivative work. In case of breach of these conditions, Addressee shall indemnify A.Raymond from and against all damages (compensatory or consequential), costs, expenses and charges, caused or arising out of or attributable to its willful misconduct, fraud, negligence, infringement of A.Raymond' intellectual property rights. If the Addressee does not accept these conditions, please notify A.Raymond' sender immediately.

Schutzrechte/ IP rights		vorbehalten / all rights reserved		Classification Code		BBA--	
Ersatz fuer/ substitute for		081929.800/-/30.07.1998		Entw.Ref./ dev.ref.		Projekt-Nr./ project no.	
Maszstab/ scale		Format		Allgemeintoleranz/ general tolerance		Datum/ date	
2:1		A3		$\pm 0.5 / \pm 5^\circ$		07.07.2011	
Projektion / projection		ALL DIMENSIONS ARE IN MILLIMETERS		Freigegeben/ approved		20110707102448	
Blechedicke/ mat. thickness		DIN EN 10140		Volumen/ volume (mm ³)		3851	
Gewicht/ weight (g)		-		-		4.3	
Oberfl./ finish		-		-		Oberfl. Code/ finish code	
-		-		-		-	
Werkstoffbehandl./ material treatment		-		-		-	
Werkstoff/ material		-		-		Mat. code	
-		-		-		8800	

Benennung/ title		Kabelband / Schlauchhalter drehbar cable strap / hose clip rotatable	
Teil-Nr./ part no.		081929-0-00	
Kundenteile-Nr. / customer part no.		-	
CAD system & version		ProE WF3	
Dateiname / filename		081929-0C00	
Drawing type		C:Customer	
Blatt / sheet		1 / 1	

Pos.	Anzahl/ quantity	Teil-Nr. / part. no.	Werkstoff / material	Oberflaeche / Farbe / finish / colour	ZSB_Oberfl. Code finish code
2	1	016258-0-00	POM - C - Standard	schwarz black	SW
1	1	014048-0-00	PA 12 - halbflexibel PA 12 - semiflexible	schwarz black	SW
				7000	