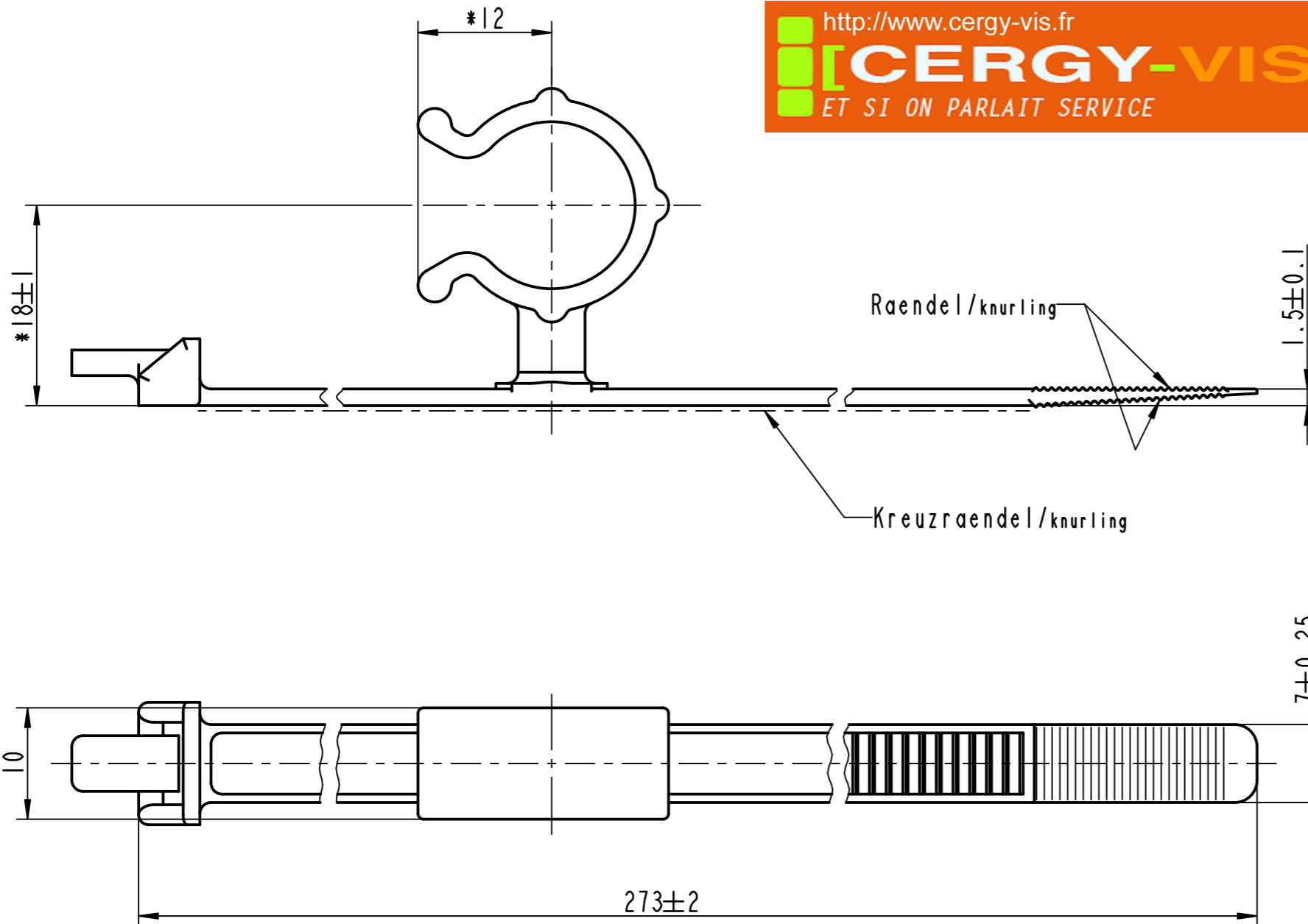
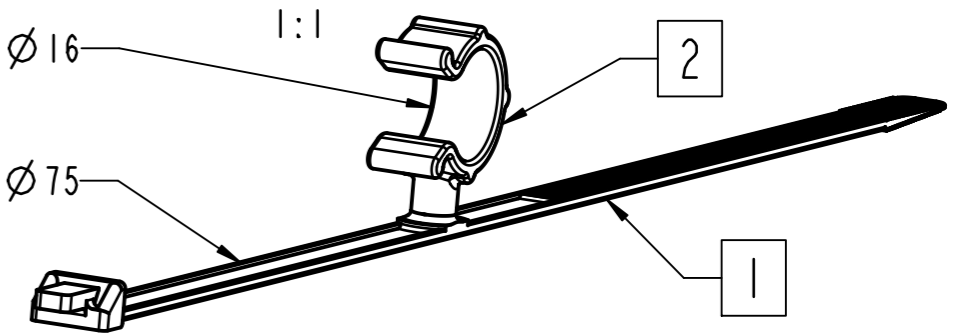


* Mass ist bei eingedrucktem Pruefstift $\varnothing 15$ zu messen
dimension must be measured with preassembled test pin $\varnothing 15$

passend fuer Rohr- oder Schlauch- $\varnothing 15 \dots \varnothing 16$
applicable for pipe- or hose diameter 15 ... 16

passend fuer Kabelbueindel $\varnothing 46 \dots \varnothing 75$
applicable for cable bundle diameter 46 ... 75



Rev.	Anzahl/quantity	Aenderungsbeschreibung / modification description	Datum/date	Name
Aa	-	Erstfreigabe / initial release	14.08.12	kl

ARaymond®
A RAYMOND GmbH & Co.KG

Teichstrasse 57
Germany - 79511 Loerrach
Phone +49 (0) 7621 174-0
Fax +49 (0) 7621 174-225

Bei Verstaendnisproblemen beantragen Sie bitte beim Absender die deutsche Fassung vor jeder Anwendung.
"CONDITIONS OF USE"
This drawing and all information (the "Drawing") disclosed are the exclusive property of ARaymond. By using this Drawing the Addressee acknowledges and accepts that this Drawing (1) is covered by ARaymond' intellectual property rights or know-how and (2) is provided under the following conditions who represent a Deposit Agreement. This Drawing is for Addressee' internal use only limited to its estimation. Without prior written consent of ARaymond, no permission or rights for any purpose, is hereby granted, such as, without any limitation, (1) the copy, in part or entirely, (2) and/or the presentation, in part or entirely, to any other third party outside the Addressee' company or in the company but with no interest (3) and/or the distribution of the Drawing, in part or entirely, in any medium (4) and/or the creation of any derivative work. In case of breach of these conditions, Addressee shall indemnify ARaymond from and against all damages (compensatory or consequential), costs, expenses and charges, caused or arising out of or attributable to its willful misconduct, fraud, negligence, infringement of ARaymond' intellectual property rights. If the Addressee does not accept these conditions, please notify ARaymond' sender immediately.

Schutzrechte/ IP rights		vorbehalten / all rights reserved		Classification Code		BBA--	
Ersatz fuer/ substitute for		-		Entw.Ref./ dev.ref.		Projekt-Nr./ project no. 76024-K	
Masstab/ scale	Format	Allgemeintoleranz/ general tolerance	Datum/ date	14.08.2012			
2:1	A3	$\pm 0.5 / \pm 5^\circ$	Erstellt von/ prepared by	Klar			
Projektion / projection		ALL DIMENSIONS ARE IN MILLIMETERS		Freigegeben/ approved		20120817050312	
Oberfl./ finish		-		Volumen/ volume (mm ³)		3750	
Werkstoffbehandl./ material treatment		-		Gewicht/ weight (g)		4.4	
Werkstoff/ material		-		Mat. code		8801	

Benennung/ title: **Kabelband / Schlauchhalter drehbar**
cable strap / hose clip rotatable

2	1	017018-0-05	POM - C - Standard	schwarz black	SW	7000
1	1	013389-0-02	PA 66 - hochschlagzaeh, waermestabil PA 66 - high impact strength, heat stabilized	schwarz black	SW	
Pos.	Anzahl/ quantity	Teil-Nr. / part. no.	Werkstoff / material	Oberflaeche / Farbe / finish / colour	ZSB_Oberfl. Code finish code	

Teil-Nr./ part no.	081287-0-01	Drawing type	C:Customer
Kundenteile-Nr. / customer part no.	-	Blatt / sheet	1 / 1
CAD system & version		Dateiname / filename	
ProE WF4		081287-0C01	