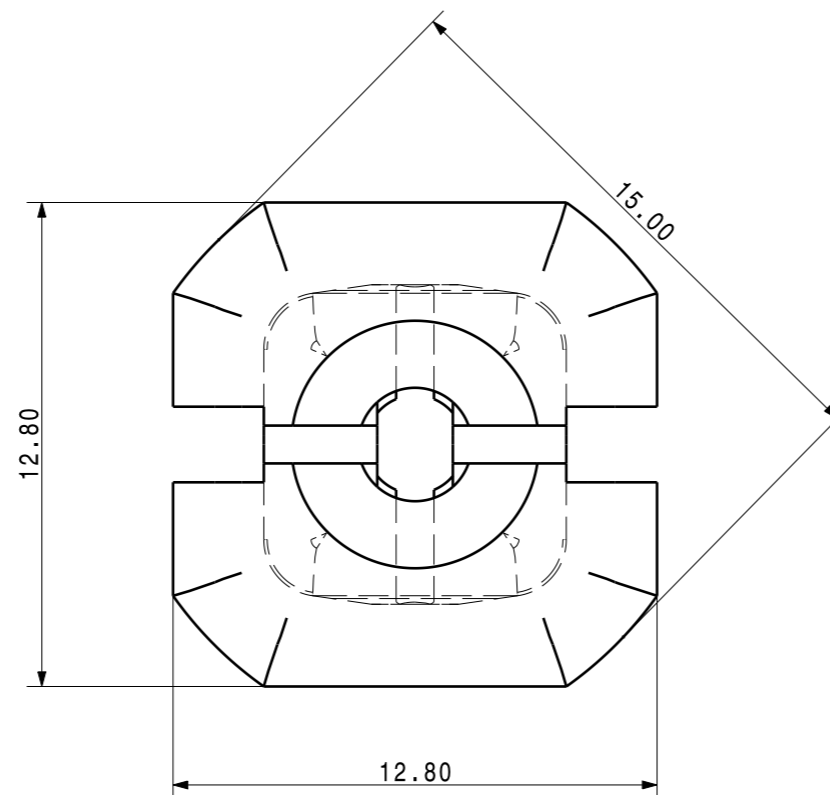
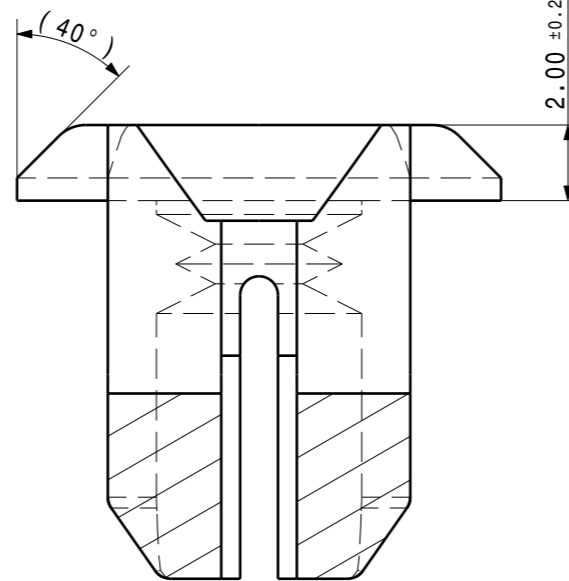
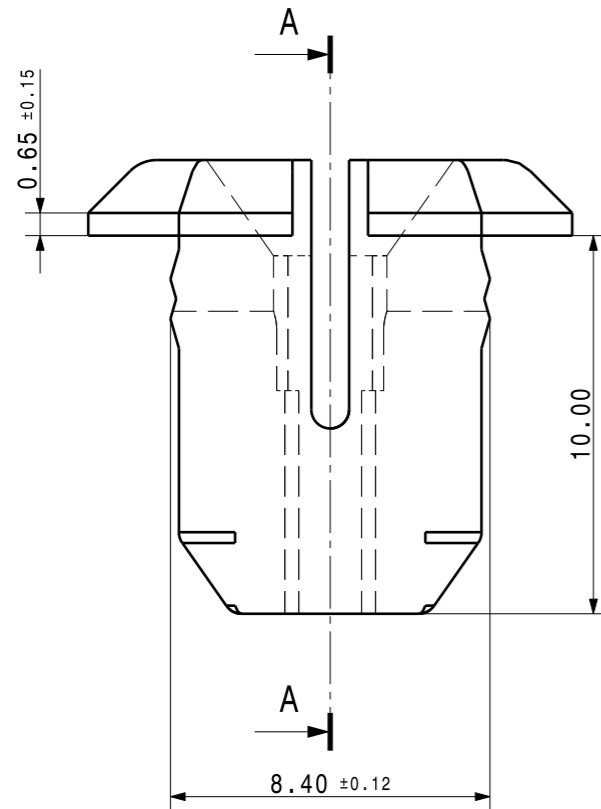


Variant	Matière / Material	Traitement / Material treatments	Finition / Finishes	Poids (g) / Weight (g)
00	PA66 02-30FV	REPRISE D'HUMIDITE de 1 a 3% from 1 to 3% of Humidity rework	Naturel Natural	0,9
01	PA66 02-30FV	REPRISE D'HUMIDITE de 1 a 3% from 1 to 3% of Humidity rework	Noir Black	0,9
02	PA66 12-13FV	Sans Without	Noir Black	0,8
03	PA12 02.23FV	Sans Without	Noir Black	0,8
04	PA12 Industriel-23/30FV	Sans Without	Noir Black	0,8



Une consultation préalable de A.Raymond SARL est nécessaire pour toute mise en place de la pièce en automatique.  
Automatic processing of the part requires prior consultation with A.Raymond SARL.

TROU  $\square$   $8.20^{+0.01}_{-0.10}$   
EPAISSEUR: 0.60mm A 3.00mm  
HOLE  $\square$   $8.20^{+0.01}_{-0.10}$   
THICKNESS: 0.60mm A 3.00mm



VUE ISO/3D VIEW  
ECHELLE/SCALE : 1:1



REV.	Quant.	Indice / revision description	Date	Name
Eg	-	MISE A JOUR COTATION 45° -> 40° ET 2.00 -> 2.00±0.20	25.07.12	BVI
Ef	-	UPDATED DRAWING	21.12.10	FAI

		113 cours Berriat BP 157 France - 38019 Grenoble cedex 1 Tel +33 (0) 4 76 33 49 49 Fax +33 (0) 4 76 78 20 50	
Si problème de compréhension, merci de demander la version française à A.Raymond avant toute utilisation. "CONDITIONS OF USE" This drawing and all information (the "Drawings") disclosed are the exclusive property of A.Raymond. By using this Drawing the Addressee acknowledges and accepts that this Drawing (1) is covered by A.Raymond intellectual property rights or know-how and (2) is provided under the following conditions which represent a Deposit Agreement. This Drawing is for Addressee internal use only limited to its estimation. Without prior written consent of A.Raymond, no permission or rights for any purpose, is hereby granted, such as, without any limitation, (1) the copy, in part or entirely (2) and/or the presentation, in part or entirely, to any other third party outside the Addressee company or in the company but with no interest (3) and/or the distribution of the Drawings, in part or entirely, in any medium (4) and/or the creation of any derivative work. In case of breach of these conditions, Addressee shall indemnify A.Raymond from and against all damages (compensatory or consequential), costs, expenses and charges, caused or arising out of or attributable to its willful misconduct, fraud, negligence, infringement of A.Raymond Intellectual Property rights. If the Addressee does not accept these conditions, please notify A.Raymond sender immediately.			
Brevets / Patent rights		Classification code <b>AG-AD</b>	
N° Projet / Project No.	Origine / Origin	Chef de projet / Project Manager	
Echelle / scale <b>5:1</b>	Format <b>A3</b>	Tolerance / General tolerance Dimension Angle $\pm 0.50 \pm 5.00^\circ$	Date Realise / Prepared by <b>AILHAS.F</b>
		<b>ALL DIMENSIONS ARE IN MILLIMETERS</b> Epaisseur / Mat. thickness -	Approuvé / Approved 20120726075733 Volume (mm³) <b>667,4</b> Poids / Weight (g) -
Finition / finish <b>Voir nomenclature See parts list</b>			Code finition finish code -
Traitement structural / Material treatment <b>Voir nomenclature See parts list</b>			
Matière / Material <b>Voir nomenclature See parts list</b>			Mat. code -
Libelle / Title <b>Ecrou spécial anti-foirage Special nut anti-bruising</b>			
Reference / Part no. <b>055995-0-00</b>		Drawing type <b>C:Customer</b>	
Ref. client / Customer part no.		Planche / Sheet <b>1/1</b>	
CAD system & version CATIA V5 R19 SP7		Nom fichier / File name 055995-0C00	

VERIFIER L ECHELLE APRES PHOTOCOPIE / BEWARE SCALE AFTER COPY