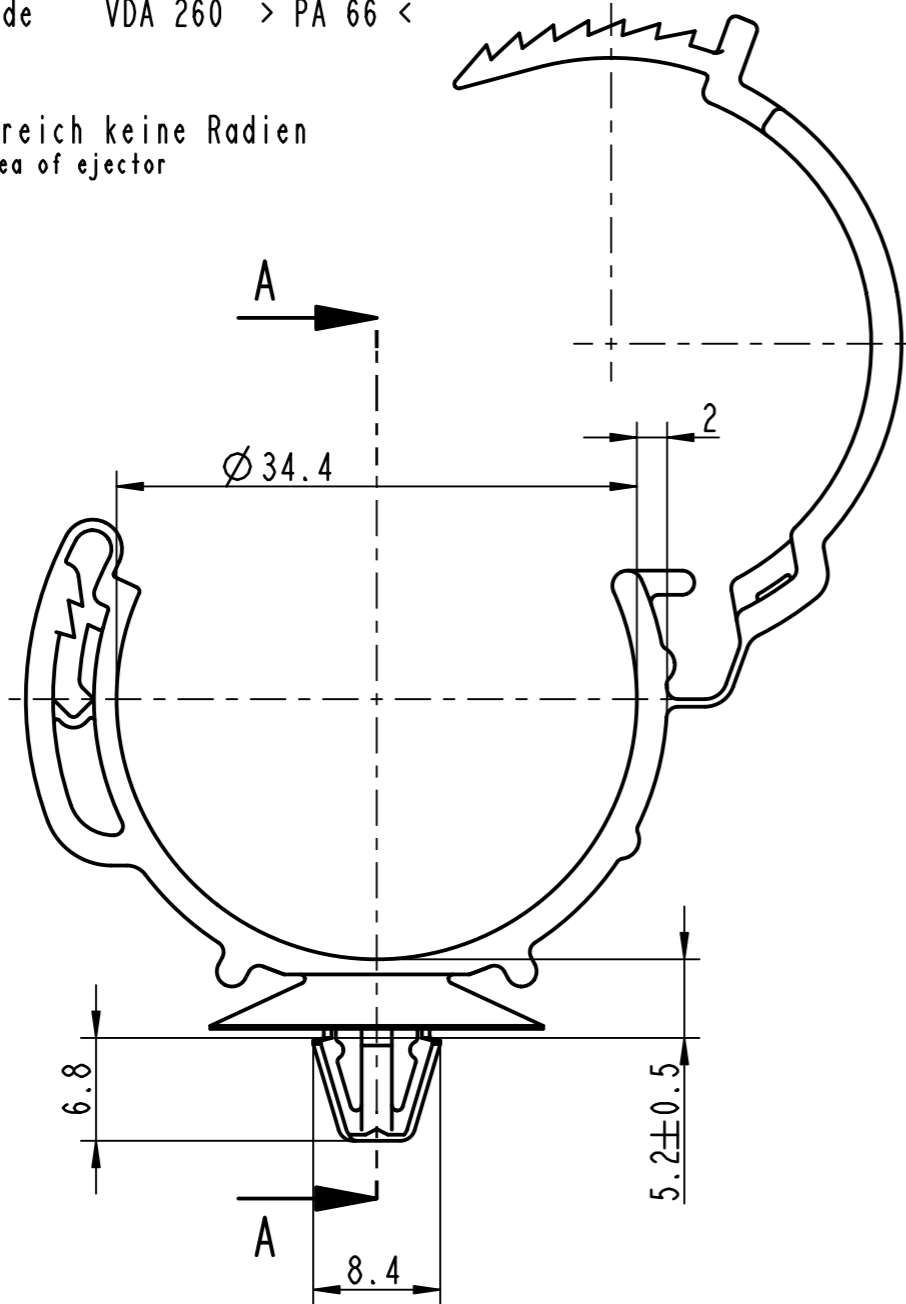
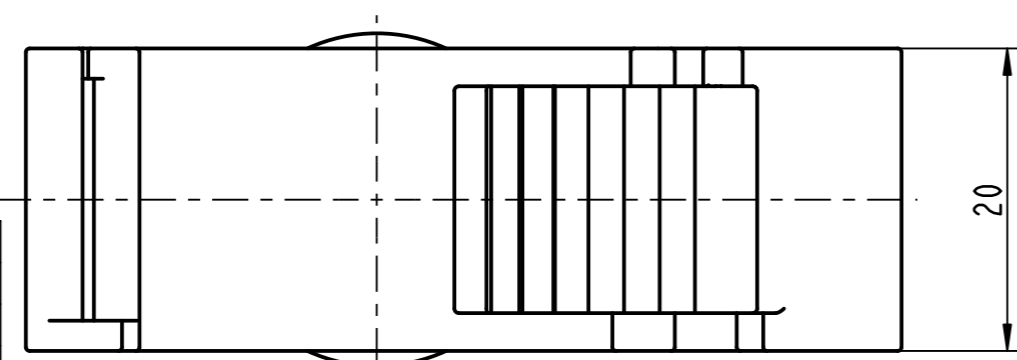
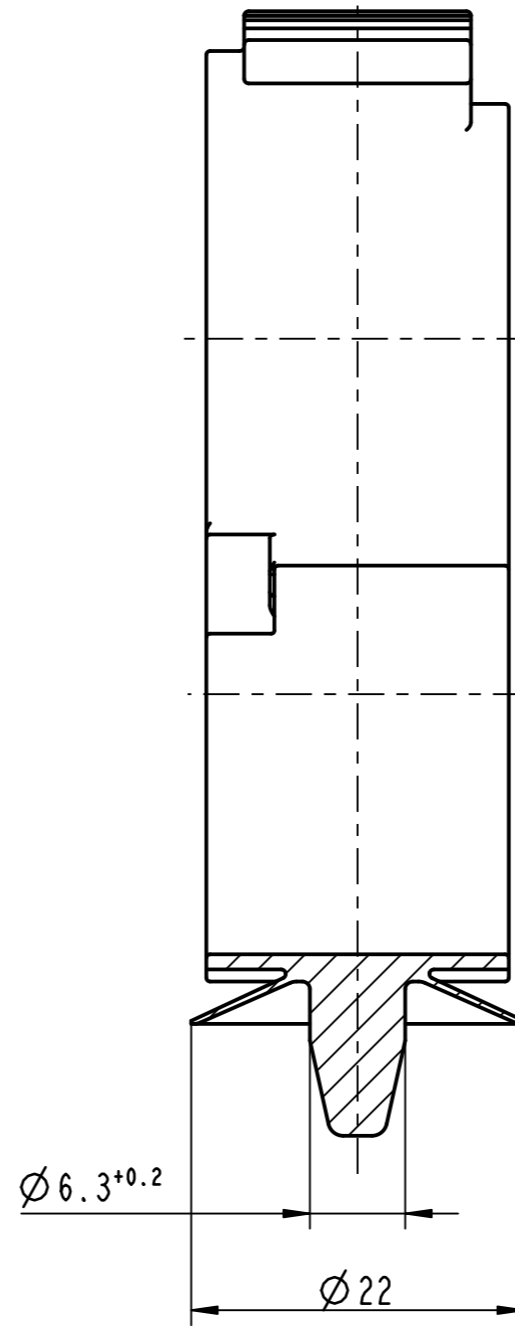


Kennzeichnung/Identification:  
 Hersteller - Code VW 105 40 > RAY <  
 Mfr. - Code  
 Werkstoff - Code VDA 260 > PA 66 <  
 Material - Code

im Auswerferbereich keine Radien  
 no radii in the area of ejector



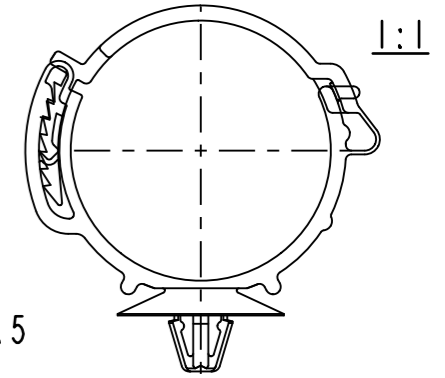
Schnitt A-A



im Anlieferungszustand geöffnet  
 open when delivered

passend fuer Schlauch- $\varnothing 34^{+1}$   
 applicable for hose diameter  $34^{+1}$

Befest. - Loch =  $\varnothing 6,5^{+0.2}$   
 Fastening hole  
 Befest. - Dicke = 0,8 ... 2,5  
 Fastening thickness



Rev.	Anzahl/quantity	Aenderungsbeschreibung / modification description	Datum/date	Name
Ab	-	Zeichnung ueberarbeitet nach AR-Gruppenstandard, Teil unveraendert	27.10.10	kl

Teichstrasse 57  
 Germany - 79511 Loerrach  
 Phone +49 (0) 7621 174-0  
 Fax +49 (0) 7621 174-225

Bei Verstaendnisproblemen beantragen Sie bitte beim Absender die deutsche Fassung vor jeder Anwendung.  
 "CONDITIONS OF USE"  
 This drawing and all information (the "Drawing") disclosed are the exclusive property of A.Raymond.  
 By using this Drawing the Addressee acknowledges and accepts that this Drawing (1) is covered by A.Raymond' intellectual property rights or know-how and (2) is provided under the following conditions who represent a Deposit Agreement.  
 This Drawing is for Addressee' Internal use only limited to its estimation.  
 Without prior written consent of A.Raymond, no permission or rights for any purpose, is hereby granted, such as, without any limitation, (1) the copy, in part or entirely (2) and/or the presentation, in part or entirely, to any other third party outside the Addressee' company or in the company but with no interest (3) and/or the distribution of the Drawing, in part or entirely, in any medium (4) and/or the creation of any derivative work.  
 In case of breach of these conditions, Addressee shall indemnify A.Raymond from and against all damages (compensatory or consequential), costs, expenses and charges, caused or arising out of or attributable to its willful misconduct, fraud, negligence, infringement of A.Raymond' intellectual property rights. If the Addressee does not accept these conditions, please notify A.Raymond' sender immediately.

Schutzrechte/patent rights	vorbehalten / all rights reserved		Classification Code	BADA-
Ersatz fuer/substitutue for	020726_C_01/Aa/10.05.2006	Entw.Ref./dev.ref.	Projekt-Nr./project no.	64520-K
Maasstab/scale	Format	Allgemeintoleranz/general tolerance	Datum/date	27.10.2010
			Erstellt von/prepared by	Klar
Projektion / projection	ALL DIMENSIONS ARE IN MILLIMETERS	Freigegeben/approved	20101028054413	
	Blechedicke/mat. thickness DIN EN 10140	Volumen/volume (mm <sup>3</sup> )	6510	Gewicht/weight (g) 7.2
Oberfl./finish	-	Oberfl. Code/finish code	-	-
Werkstoffbehandl./material treatment	-			
Werkstoff/material	PA 66 - trockenschlagzaeh, waermestabil PA 66 - dry impact strength, heat stabilized			Mat. code 2000

Benennung/title  
**Schlauchhalter**  
 hose clip

Teil-Nr./part no.	020726-0-00	Drawing type	Customer
Kundenteile-Nr. / customer part no.	VW-Nr. 1C0 121 093 J	Blatt / sheet	1 / 1
CAD system & version	ProE WF3	Dateiname / filename	020726-0C00

>400 <= 1000	±2
>120 <= 400	±1.5
> 30 <= 120	±1
> 6 <= 30	±0.5
<= 6	±0.25
Winkel / Angle	±3°

<http://www.cergy-vis.fr>  

 ET SI ON PARLAIT SERVICE

020726-0-00	schwarz black	SW	7000
Teil-Nr. / part no.	Oberflaeche / Farbe / finish / colour	Oberfl. Code/ finish code	
Ausfuehrung / Execution			

Allgemeintoleranzen fuer Nennmasse ohne Toleranz.  
 General tolerances for nominal dimensions without specified tolerance.