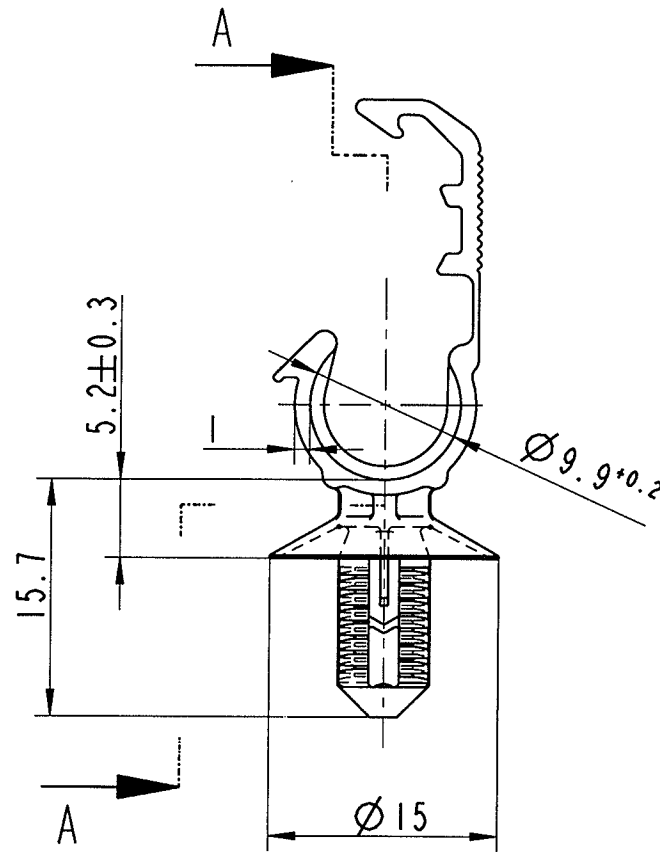
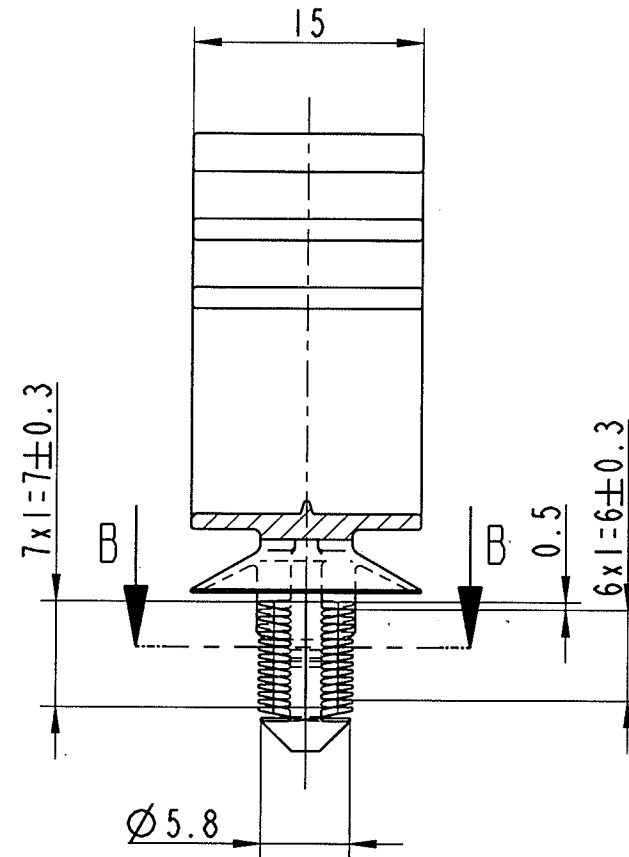


Kennzeichnung: / Identifikation:

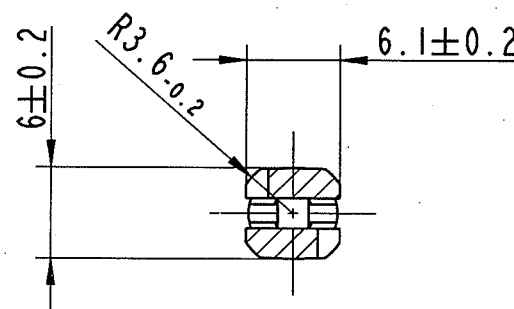
Hersteller-Code VW 105 40 >RAY<  
 Mfr.-Code  
 Werkstoff-Code VDA 260 >PA 66<  
 Material-Code



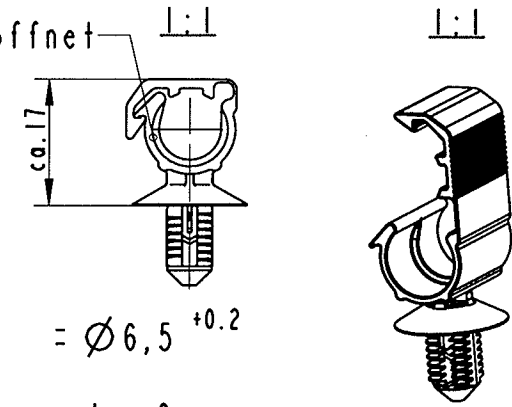
Schnitt/section A-A





Schnitt/section B-B



im Anlieferzustand geöffnet  
 open when delivered



Befest. - Loch = Ø 6,5<sup>+0.2</sup>  
 Fastening hole  
 Befest. - Dicke = 1...6  
 Fastening thickness

A - Zeichnungs- und Indexreform / SAP		02.02.05	sp
Ind. Name / how often	Beschreibung / Description		Datum/Date Name
Aenderungen / Modifications			
Dateiname/ filename	017713_C_01		
1219	BADA-	Projekt-Nr./ Project-No.	-
 		SPEZIALBEFESTIGUNGSSYSTEME WELTWEIT / ENGINEERED FASTENERS WORLDWIDE	
Ersatz fuer/ Substitute for	17 713.529 vom 08.06.1995	Datum/ Date	02.02.2005
Gez./ Drawn	Schnurpfeil		
Gepr./ App.	Sjg A		
Schutzrechte/ Patent rights	DBP 62		F.-gepr./ Production
Masstab / Scale	Allgem.Tol. wenn nicht anders angegeben/ General tol. unless otherwise specified	O.-gepr./ Quality	S.-gepr./ Patent app.
2:1	siehe Tabelle / see table		
Oberfl.Behandlg./ Finish	-	Kennzahl/ Code number	-
Werkstoffbehandlg./ Material treatment	-	Blechkicke/ Mat.Thickn. DIN EN 10 140	-
Werkstoff/ Material	PA 66 wstab. tr.schlagzäh	Mat.-Code	2000
Benennung/ Partname	Wellenschlauchhalter Corrugated hose clip		
Teil-Nr./ Part-No.	017713 000	VW-Nr.N 906 814 01	C



endgueltige Toleranzfestlegung  
 nach Erprobung der Serienteile  
 final definition of tolerances  
 after testing the serial parts

>400 <= 1000	±2
>120 <= 400	±1.5
> 30 <= 120	±1
> 6 <= 30	±0.5
<= 6	±0.25

im Auswerferbereich keine Radien  
 no radii in the area of ejector

"CONDITIONS OF USE"  
 This drawing and all information (the "Drawing") disclosed are the exclusive property of A.Raymond. By using this Drawing the Addressee acknowledge and accept that this Drawing (1) is covered by A.Raymond' intellectual property rights or know-how and (2) is provided under the following conditions who represent a Deposit Agreement. This Drawing is for Addressee' internal use only limited to its estimation. Without prior written consent of A.Raymond, no permission or rights for any purpose, is hereby granted, such as, without any limitation, (1) the copy, in part or entirely (2) and/or the presentation, in part or entirely, to any other third party outside the Addressee' company or in the company but with no interest (3) and/or the distribution of the Drawing, in part or entirely, in any medium (4) and/or the creation of any derivative work. In case of breach of these conditions, Addressee shall indemnify A.Raymond from and against all damages (compensatory or consequential), costs, expenses and charges, caused or arising out of or attributable to its willful misconduct, fraud, negligence, infringement of A.Raymond' Intellectual Property rights. If the Addressee does not accept these conditions, please notify A.Raymond' sender immediately. Bei Verstaeandnisproblemen beantragen Sie bitte beim Absender die deutsche Fassung vor jeder Anwendung.

passend für / suitable for

Wellenschlauchgroesse Corrugated hose size	Aussen-Ø Outside-Ø
7,5	9,9±0.3

017713 000	schwarz black	SW	7000
Teil-Nr. / Part-No.	Oberflaeche / Farbe / Finish / colour	Kennzahl/ Code number	
Ausfuehrung / Execution			
-CAD-PE-	Format: DIN A3	-Zeichnung=DIN A	