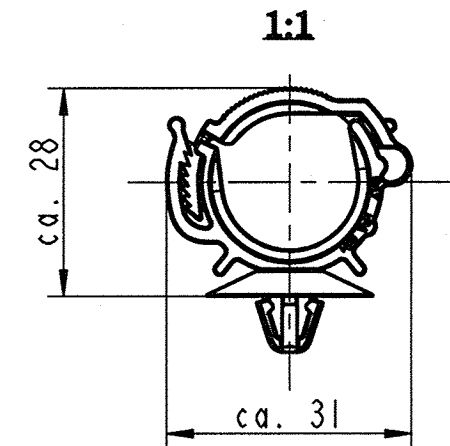


Befest. - Loch =  $\varnothing 6,5^{+0.2}$   
 Fastening hole  
 Befest. - Dicke = 0,8 . . . 2.5  
 Fastening thickness



>400 <= 1000	±2
>120 <= 400	±1.5
> 30 <= 120	±1
> 6 <= 30	±0.5
<= 6	±0.25
Winkel / Angle	±3°
Allgemeintoleranzen fuer Nennmaesse ohne Toleranz. General tolerances for nominal dimensions without specified tolerance.	

**Kennzeichnung: / Identification:**  
 Hersteller-Code / mfr.-code : RAY / Nest-Nr.  
 Werkstoff-Code / material code : VDA 260 >PA 66<

endgueltige Toleranzfestlegung  
 nach Erprobung der Serienteile  
 final definition of tolerances  
 after testing the serial parts

im Auswerferbereich keine Radien  
 no radii in the area of ejector

**passend für / suitable for**

Wellschlauchgröße / Corrugated hose size	Außen - $\varnothing$ / Outside - $\varnothing$	VW - Normteil - Nr. / VW - Standard component - No.
-17	21±0.4	N 906 685.01

017521 000	schwarz black	SW	7000
Teil-Nr. / Part-No.	Oberfläche / Farbe / Finish / colour	Kennzahl / Code number	Ausführung / Execution

-	-	-	-	-
-	-	-	-	-
-	-	-	-	-
-	-	-	-	-
-	-	-	-	-
Da	-	Indexreform / keine Teileänderung	11.05.07	Jo
Ind.	kont./ver/ low/often	Beschreibung / Description	Datum/Date	Name

**Aenderungen / Modifications**



Format DIN A0 SPEZIALBEFESTIGUNGSSYSTEME WELTWEIT / ENGINEERED FASTENERS WORLDWIDE

Bei Verstaendnisproblemen beantragen Sie bitte beim Absender die deutsche Fassung vor Jeder Anwendung.  
 "CONDITIONS OF USE"  
 This drawing and all information (the "Drawing") disclosed are the exclusive property of A-Raymond. By using this Drawing the Addressee acknowledges and accepts that this Drawing (1) is covered by A-Raymond's intellectual property rights or know-how and (2) is provided under the following conditions who represent a Deposit Agreement. This Drawing is for Addressee' internal use only limited to its estimation. Without prior written consent of A-Raymond, no permission or rights for any purpose, is hereby granted, such as, without any limitation, (1) the copy, in part or entirely (2) and/or the presentation, in part or entirely, to any other third party outside the Addressee' company or in the company but with no interest (3) and/or the distribution of the Drawing, in part or entirely, in any medium (4) and/or the creation of any derivative work. In case of breach of these conditions, Addressee shall indemnify A-Raymond from and against all damages (compensatory or consequential), costs, expenses and charges, caused or arising out of or attributable to its willful misconduct, fraud, negligence, infringement of A-Raymond' intellectual Property rights. If the Addressee does not accept these conditions, please notify A-Raymond' sender immediately.

Teilname/ Filename	CAD-PE: 017521_C.01			
Ersatz fuer/ Substitute for	17 521.567 Index 3 vom 26.11.99	Proj.-Nr./ Proj.-No.	49956-K	RASCH- Code
		Vol.(mm <sup>3</sup> )	4415	Gewicht/ Weight (g)
Schutzrechte/ Patent rights	vorbehalten / all rights reserved			

Gepr./ App.	F.-gepr./ Production	Q.-gepr./ Quality	S.-gepr./ Patent app.
----------------	-------------------------	----------------------	--------------------------

Maassstab / Scale	Allgem.Tol. wenn nicht anders angegeben/ General tol. unless otherwise specified	Datum/ Date	11.05.2007
2:1	siehe Tabelle / see table	Gez./ Drawn	John

Oberflächenbehandlg./ Finish	-	Kennzahl/ Code number	-
---------------------------------	---	--------------------------	---

Werkstoffbehandlg./ Material treatment	-	Blechköcke/ Met.Thickn. DIN EN 10 140	-
---	---	---	---

Werkstoff/ Material	PA 66 trockenschlagzäh, wärmostabil dry impact strength, heat stabilized	Met.-Code	2000
------------------------	---	-----------	------

**Wellschlauchhalter**  
 Corrugated hose clip

Teil-Nr./ Part-No.	017521 000	C
-----------------------	------------	---