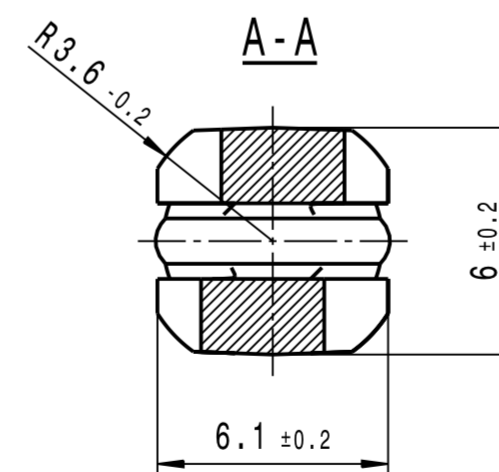
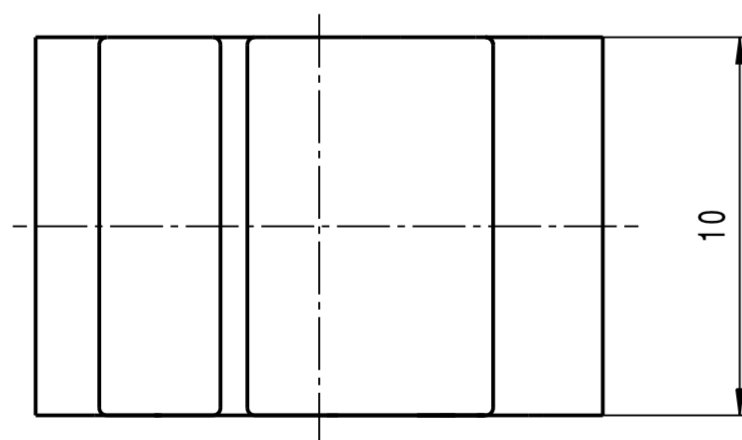
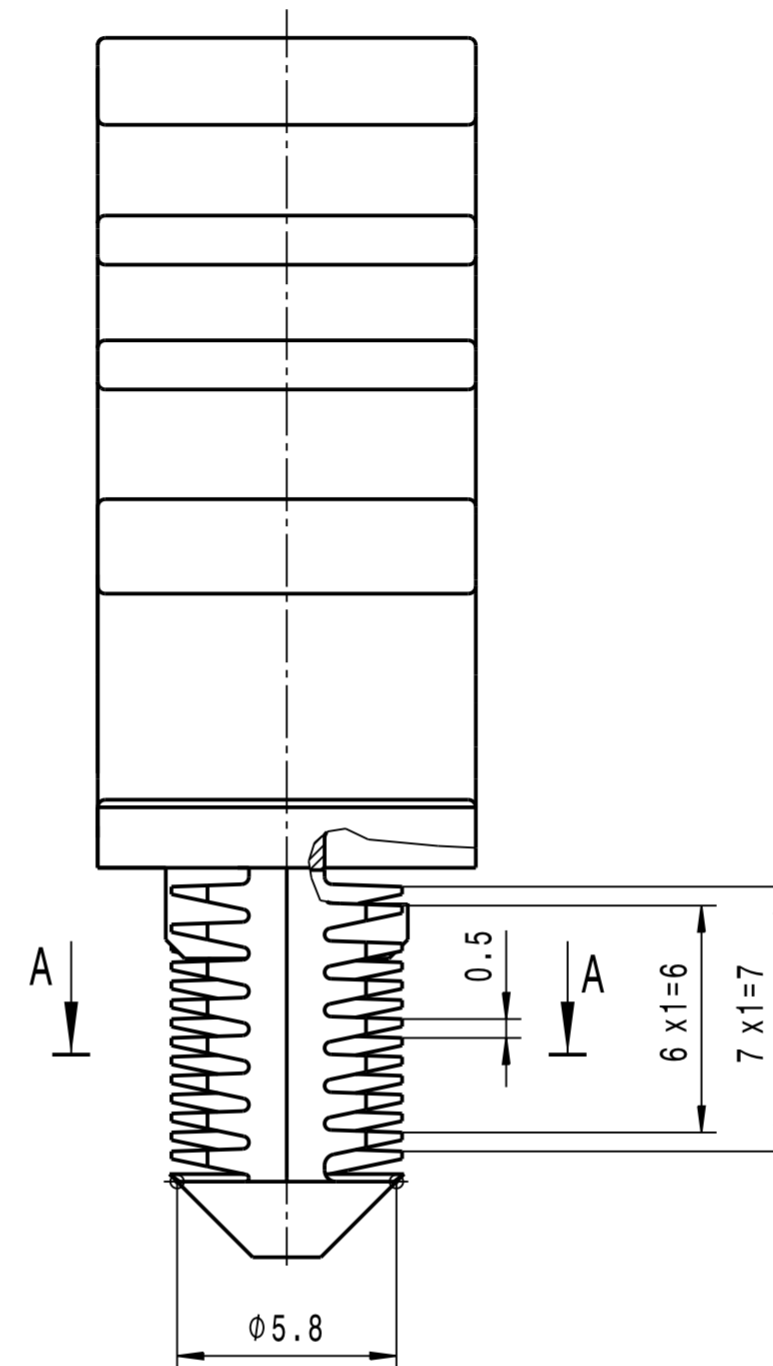
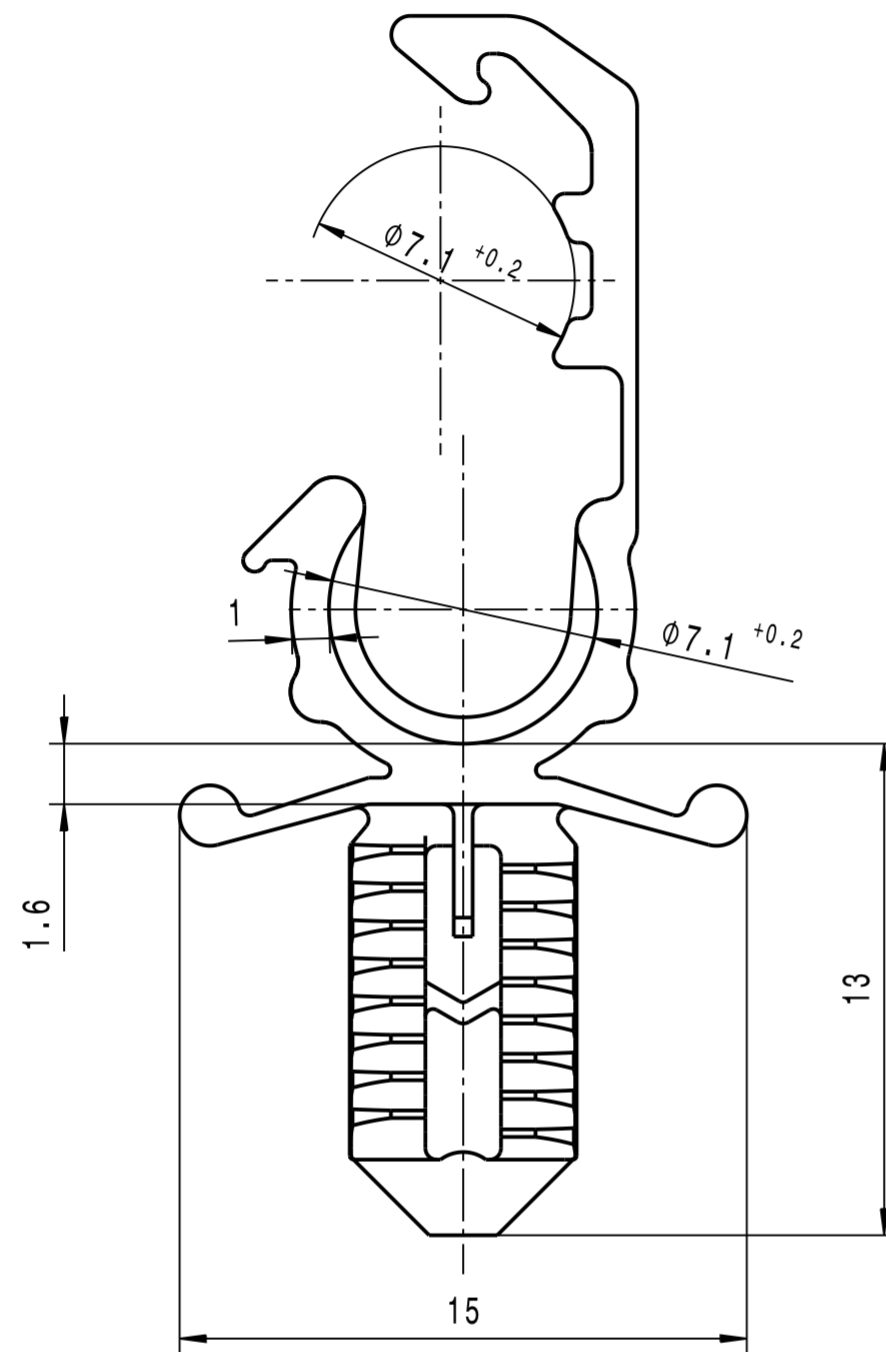
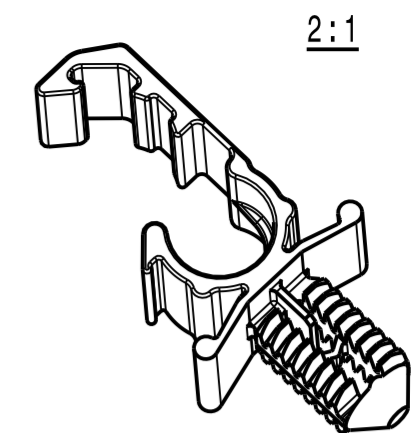


Kennzeichnung: / Identification:
 Hersteller - Code VW 105 40 - RAY
 Mfr. - Code
 Werkstoff - Code VDA 260 >PA 66<
 Material - Code

im Auswerferbereich keine Radien
 no radii in the area of ejector



Befest. - Loch = $\varnothing 6,5^{+0.2}$
 Fastening hole
 Befest. - Dicke = 1.0 ... 6.0
 Fastening thickness

passend fuer / suitable for

Wellenschlauchgroesse corrugated hose size	Aussen- \varnothing outside- \varnothing	VW-Normteil-Nr. VW-Standardcomponent-No.
4.5	7.1±0.3	N 102928.01

Rev.	Anzahl/ quantity	Aenderungsbeschreibung / modification description	Datum/date	Name
Cb	-	Zeichnung ueberarbeitet nach AR- Gruppenstandard, Teil unveraendert	24.01.14	Pr

ARaymond
 A RAYMOND GmbH & Co.KG
 Teichstrasse 57
 Germany - 79511 Loerrach
 Phone +49 (0) 7621 174-0
 Fax +49 (0) 7621 174-2 25

Bei Versandproblemen beantragen Sie bitte beim Absender die deutsche Fassung vor jeder Anwendung.
"CONDITIONS OF USE"
 This drawing and all information (the "Drawing") disclosed are the exclusive property of ARaymond.
 By using this Drawing the Addressee acknowledges and accepts that this Drawing (1) is covered by ARaymond intellectual property rights or know-how and (2) is provided under the following conditions who represent a Deposit Agreement.
 This Drawing is for Addressee internal use only limited to its estimation.
 Without prior written consent of ARaymond, no permission or rights for any purpose, is hereby granted, such as, without any limitation, (1) the copy, in part or entirely, (2) and/or the presentation, in part or entirely, to any other third party outside the Addressee company or in the company but with no interest (3) and/or the distribution of the Drawing, in part or entirely, in any medium (4) and/or the creation of any derivative work.
 In case of breach of these conditions, Addressee shall indemnify ARaymond from and against all damages (compensatory or consequential), costs, expenses and charges, caused or arising out of or attributable to its willful misconduct, fraud, negligence, infringement of ARaymond Intellectual Property rights, if the Addressee does not accept these conditions, please notify ARaymond sender immediately.

Intellectual Property rights	vorbehalten / all rights reserved		Classification Code	BADA-
Ersatz fuer/ substitute for	017482000/Ca/04.12.06	Entw.Ref./ dev.ref.	Projekt-Nr./ project no.	49901-K
Masstab/ scale	5:1	Format	A2	sh. Tabelle / see table
Projektion / projection	1st angle	Allgemeintoleranz/ general tolerance	Datum/ date 24.01.2014	
		Erstellt von/ prepared by	PreuB	
		Freigegeben/ approved	20140131082000	
		Blechkicke/ mat. thickness DIN EN 10140	-	Volumen/ volume (mm³) 738
				Gewicht/ weight (g) 0.8

Werkstoff/
material PA 66 waermestabil, trockenschlagzaeh
 PA 66 heat stabilized, dry impact strenght
 Mat. code 2000

Benennung/
title Wellschlauchhalter
 Corrugated hose clip

Teil-Nr./ part no.	017482-0-00	Drawing type	C:Customer
Kundenteile-Nr. / customer part no.		Blatt / sheet	1 / 1
Ausfuehrung / Execution	Schwarz black SW 7000	CAD system & version	CATIA V5 R19
		Dateiname / filename	017482-0C00

>400 <= 1000	±2
>120 <= 400	±1.5
> 30 <= 120	±1
> 6 <= 30	±0.5
<= 6	±0.25
Winkel / Angle	±3'

Allgemeintoleranzen fuer
 Nennmaesse ohne Toleranz.
 General tolerances for
 nominal dimensions without
 specified tolerance.