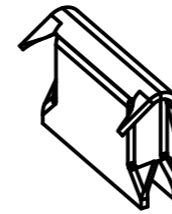
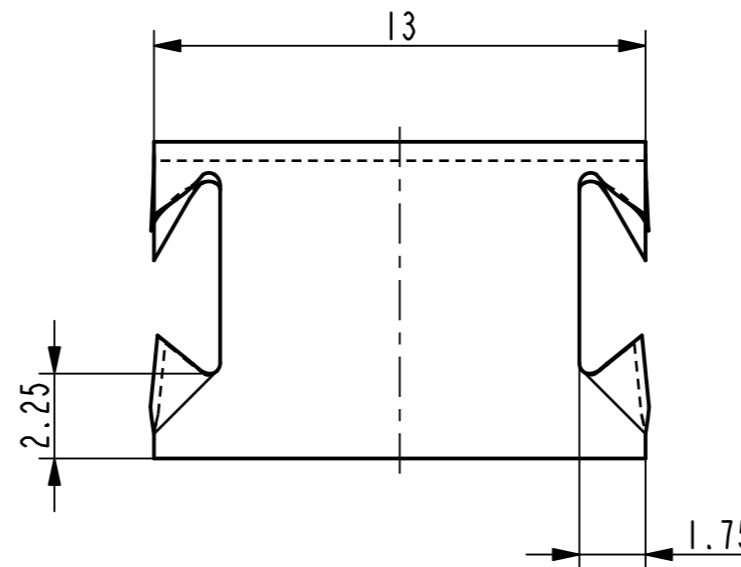
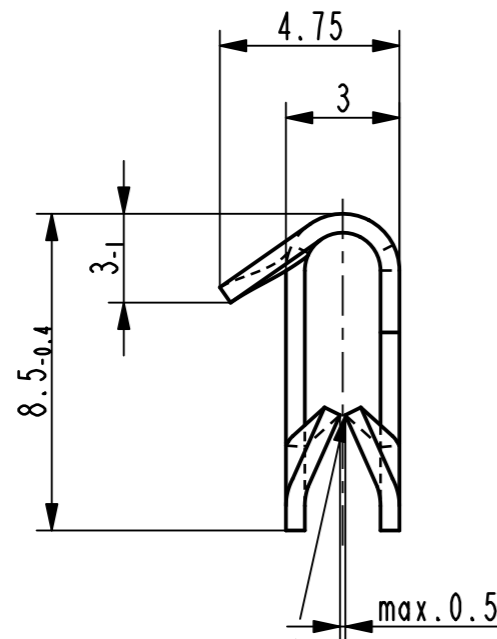


Befestigungsdicke: 1...1.5 /
fastening thickness



Isometrische Ansicht /
isometric view
2:1



Ab Ueberbrueckung der Oeffnung durch
Oberflaechenbeschichtung zulaessig /
surface finish bridging permissible

Vor Auslegung einer automatisierten Verarbeitung des Teils
sollte Ruecksprache mit Fa. ARaymond gehalten werden.
Fully automatic processing of the part requires prior
consultation with ARaymond.

-	-	-	-	-
-	-	-	-	-
-	-	-	-	-
-	-	-	-	-
-	-	-	-	-
-	-	-	-	-
-	-	-	-	-
-	-	-	-	-

Ab	lx	Zeichnung ueberarbeitet nach AR-Gruppenstandard, Teil unveraendert,	21.08.13	Ru
-	-	Bemerkung hinzug.	-	-

Rev.	Anzahl/ quantity	Aenderungsbeschreibung / modification description	Datum/date	Name
------	---------------------	---	------------	------



Teichstrasse 57
Germany - 79511 Loerrach
Phone +49 (0) 7621 174-0
Fax +49 (0) 7621 174-225

Bei Verstaendnisproblemen beantragen Sie bitte beim Absender die deutsche Fassung vor jeder Anwendung.
"CONDITIONS OF USE"
This drawing and all information (the "Drawing") disclosed are the exclusive property of ARaymond.
By using this Drawing the Addressee acknowledges and accepts that this Drawing
(1) is covered by ARaymond' intellectual property rights or know-how and
(2) is provided under the following conditions who represent a Deposit Agreement.
This Drawing is for Addressee' internal use only limited to its estimation.
Without prior written consent of ARaymond, no permission or rights for any purpose, is hereby granted, such as, without any limitation,
(1) the copy, in part or entirely,
(2) and/or the presentation, in part or entirely, to any other third party outside the Addressee' company or in the company but with no interest
(3) and/or the distribution of the Drawing, in part or entirely, in any medium
(4) and/or the creation of any derivative work.
In case of breach of these conditions, Addressee shall indemnify ARaymond from and against all damages (compensatory or consequential),
costs, expenses and charges, caused or arising out of or attributable to its willful misconduct, fraud, negligence, infringement of
ARaymond' intellectual property rights. If the Addressee does not accept these conditions, please notify ARaymond' sender immediately.

Intellectual property rights	vorbehalten / all rights reserved		Classification code	CCA--
Ersatz fuer/ substitutue for	014812_C_01/Aa/20.11.2006	Entw.Ref./ dev.ref.	Projekt-Nr./ project no.	

Masstab/ scale	Format	Allgemeintoleranz/ general tolerance	Datum/ date	21.08.2013
5:1	A3	±0.25	Erstellt von/ prepared by	Ruzicka

Projektion / projection	ALL DIMENSIONS ARE IN MILLIMETERS	Freigegeben/ approved	20130905072424	
	Blechdicke/ mat. thickness DIN EN 10140	0.50	Volumen/ volume (mm³)	100.4
			Gewicht/ weight (g)	0.8

Oberfl./ finish	metallhaltige Korrosionsschutzbeschichtung, Farbe silber metallic corrosion protection coated, colour silver	Oberfl. Code/ finish code	5410
--------------------	---	------------------------------	------

Werkstoffbehandl./ material treatment	zwischenstufenverguetet / austempered 435 ... 535 HV 5		
--	---	--	--

Werkstoff/ material	C67S DIN EN 10132-4	Mat. code	1000
------------------------	---------------------	-----------	------

Benennung/ title	U-Klammer edge clip		
---------------------	------------------------	--	--

Teil-Nr./ part no.	014812-0-01	Drawing type	C:Customer
-----------------------	-------------	--------------	------------

Kundenteile-Nr. / customer part no.	-	Blatt / sheet	1 / 1
-------------------------------------	---	---------------	-------

CAD system & version	ProE WF4	Dateiname / filename	014812-0C00
----------------------	----------	----------------------	-------------

-	-	-
Teil-Nr. / part no.	Oberflaeche / Farbe / finish / colour	Oberfl. Code/ finish code
Ausfuehrung / Execution		