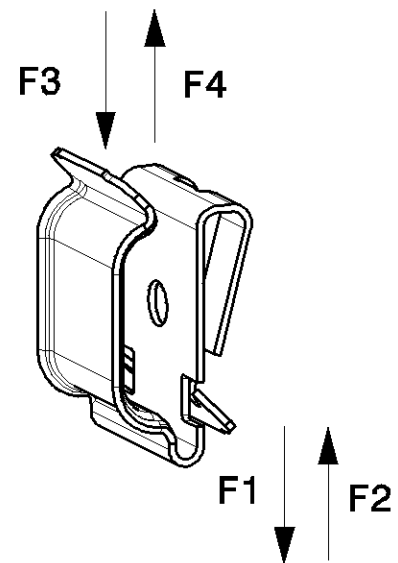
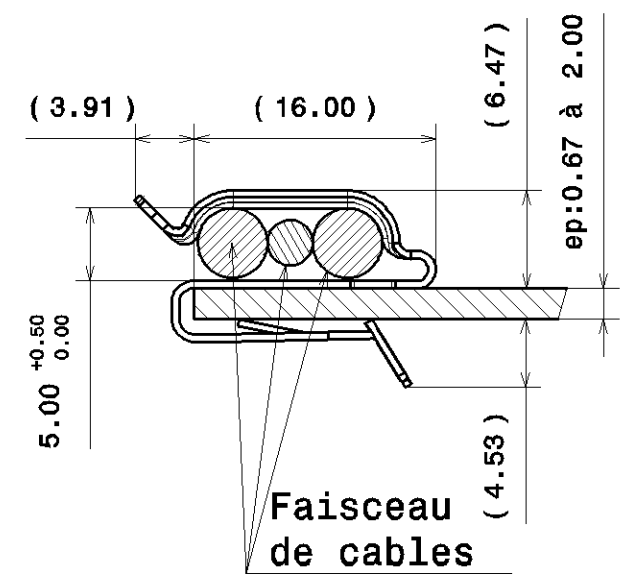
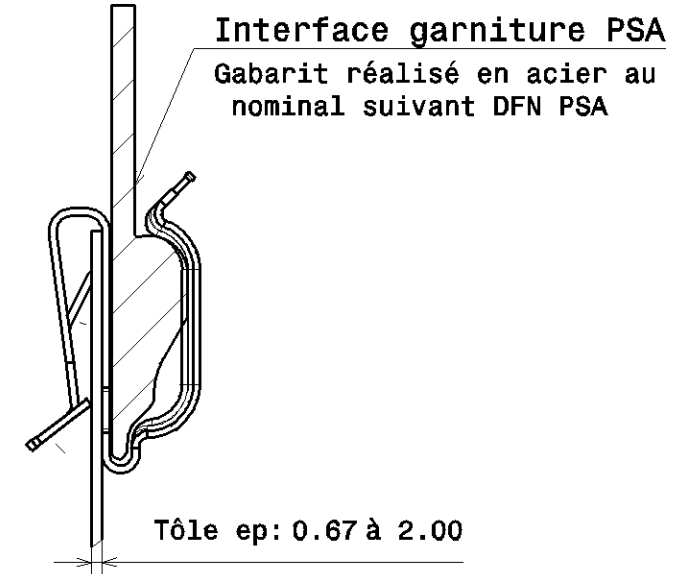


Vue ISO Ech:2/1



Exemple d'utilisation:
Ech:2/1



- NOTA:
- Tolérancement/tolerancing: ISO 8015
 - Tolérances générales/general tolerances:
 - ISO 2768-C-K
 - Mise en place de l'agrafe sur la tole ep 0.67mm suivant F1: 6.5 daN Maxi
 - Tenue de l'agrafe sur la tole ep 0.67mm suivant F2 : 3 daN Mini
 - Mise en place de l'agrafe sur la tole ep 2.00mm suivant F1: 12 daN Maxi
 - Tenue de l'agrafe sur la tole ep 2.00mm suivant F2 : 5 daN Mini
 - Mise en place du gabarit métal suivant F3 : 3daN Maxi
 - Tenue du gabarit métal suivant F4 : 3daN Mini

<http://www.cergy-vis.fr>
[CERGY-VIS]
 ET SI ON PARLAIT SERVICE

Ind	Nb	DESCRIPTIONS / DESIGNATIONS	DATE	VISAS
Bd		Mise au pratique des efforts	16/07/08	MM
Bc	02	Decalage trou de pilote et repliage patte centrale pour amelioration effort arrachement/BEI	01-06-08	SV
Bb	01	Ajout d'un trou de pilotage pour BE0/BEI	10-10-08	SV
Ba	02	Modif valeur de rayons pour industrialisation/BEI	08-10-08	SV
B		Augmentation ouverture patte centrale	05/05/08	MM
A		Création plan	21/08/08	MM

Si problème de compréhension, merci de demander la version française à A.Raymond avant toute utilisation.
 If the addressee does not accept these conditions, please notify A.Raymond sender immediately.
 This drawing and all information (the Drawing) disclosed are the exclusive property of A.Raymond.
 By using this Drawing the Addressee acknowledges and accepts that this Drawing
 (i) is covered by A.Raymond intellectual property rights or know-how, and,
 (ii) is provided under the following conditions who represent a Deposit Agreement.
 This Drawing is for Addressee' internal use only limited to its estimation.
 Without prior written consent of A.Raymond, no permission or rights for any purpose, is hereby granted, such as, without any limitation,
 (1) the copy, in part or entirely
 (2) and/or the presentation, in part or entirely, to any other third party outside the Addressee' company or in the company but with no interest
 (3) and/or the distribution of the Drawing, in part or entirely, in any medium
 (4) and/or the creation of any derivative work.
 In case of breach of these conditions, Addressee shall indemnify A.Raymond from and against all damages (compensatory or consequential), costs, expenses and charges, caused or arising out of or attributable to its willful misconduct, fraud, negligence, infringement of A.Raymond' Intellectual Property rights.

FORMAT	EGH / SCALE	EP / TH(mm)	VOL (mm)	POIDS (WEIGHT (g))	PLANCHE / SHEET	TOLERANCE dimension / angle	DATE
A3	5:1	0,5	351	2.8	1/2	-/-	21/03/2008

TRAITEMENT DE SURFACE OU COULEUR / SURFACE TREATMENT OR COLOR:
CrIII epaisse (XII)+ Zn(10-20µm)(I) - (type protolux 3000+Ecotri)- Tenue BS RR:408H

TRAITEMENT STRUCTURAL / MATERIAL TREATMENT:
C67S CR : 0,3 a 0,5 : TTH.HR 15
N : 81,5 a 83,5 (42 a 46 Hrc)

REALISE / ACHIEVED: **MARTINEZ**

VISA:

MATIERE / MATERIAL:
ACIER C67S - A (recuit) G
EPO50

APPROUVE / APPROVED: **ALBARAN**

VISA:

LIBELLE / TITLE:
CLIP A Pincer

BREVETS / PATENTS:

REF. CLIENT / CUSTOMER DATA: **96 703 153 80**

NUMERO / NUMBER:
211723-0-00 Z

A Raymond
 118, cours Berriat - BP157 38018 Grenoble cedex 1 France ; Tel. 04 78 33 49 49 ; Fax 04 78 78 20 50

PLAN REALISE EN CAO CATIA V5, NE PAS MODIFIER MANUELLEMENT / CATIA V5 CAD FILE, DO NOT MODIFY

VERIFIER L ECHELLE APRES PHOTOCOPIE / BEWARE SCALE AFTER COPY