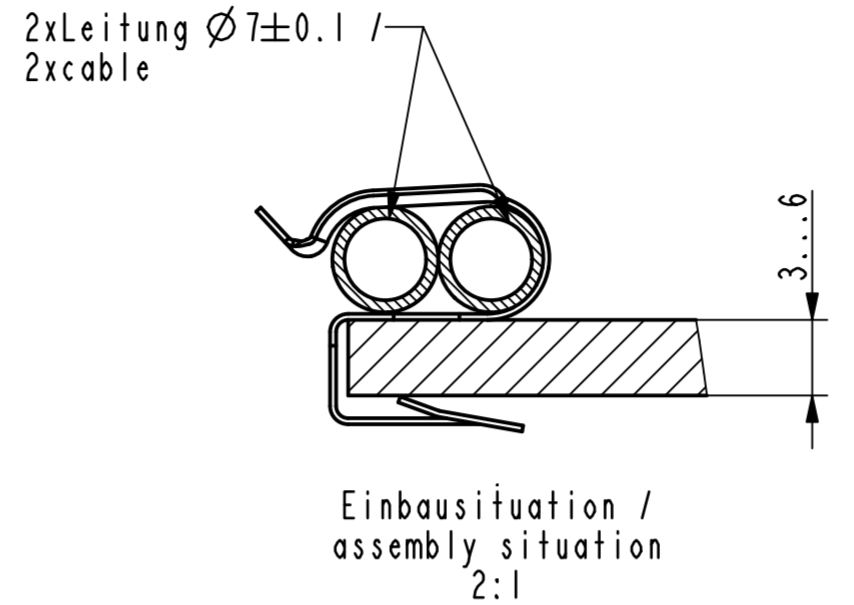
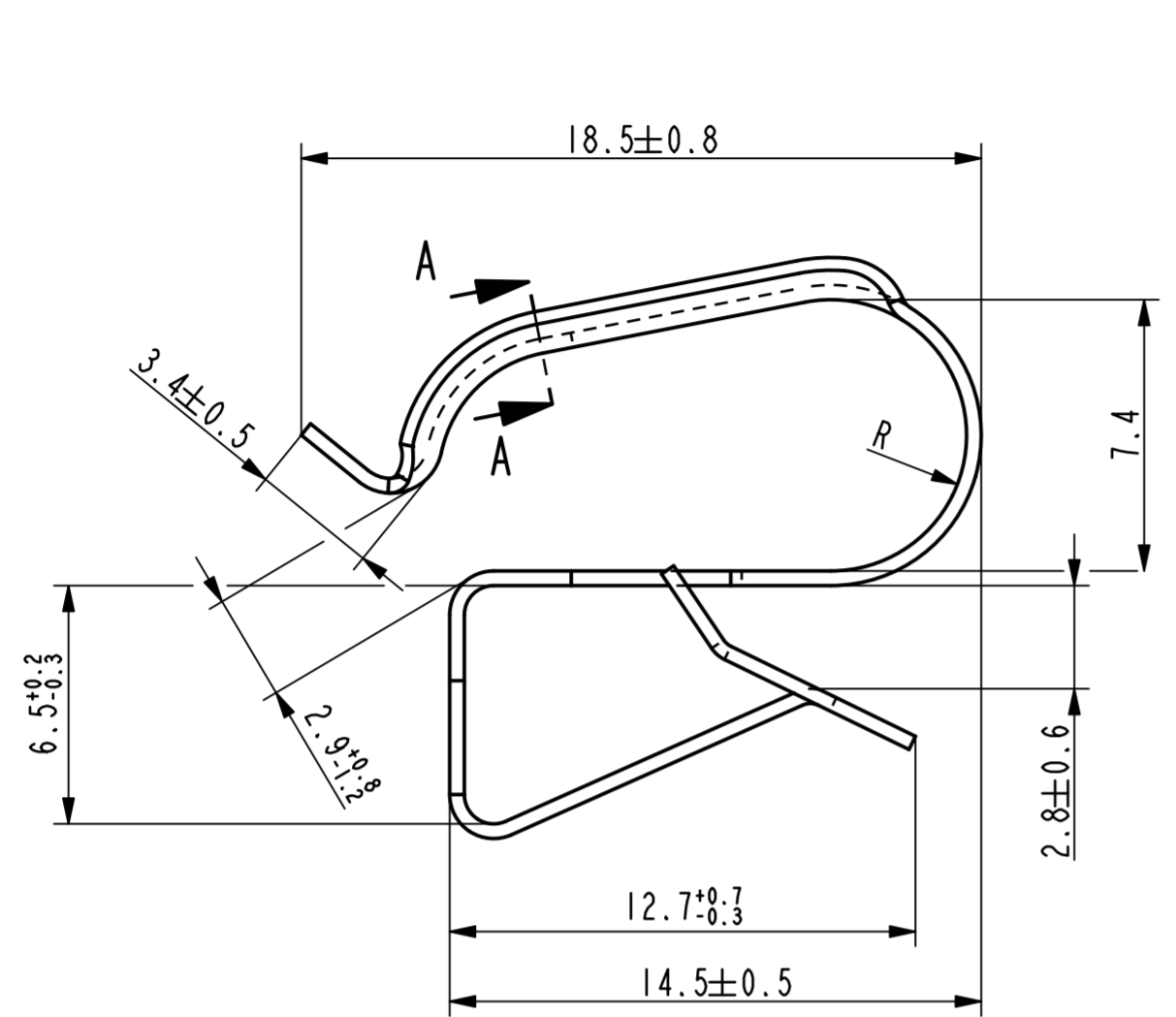
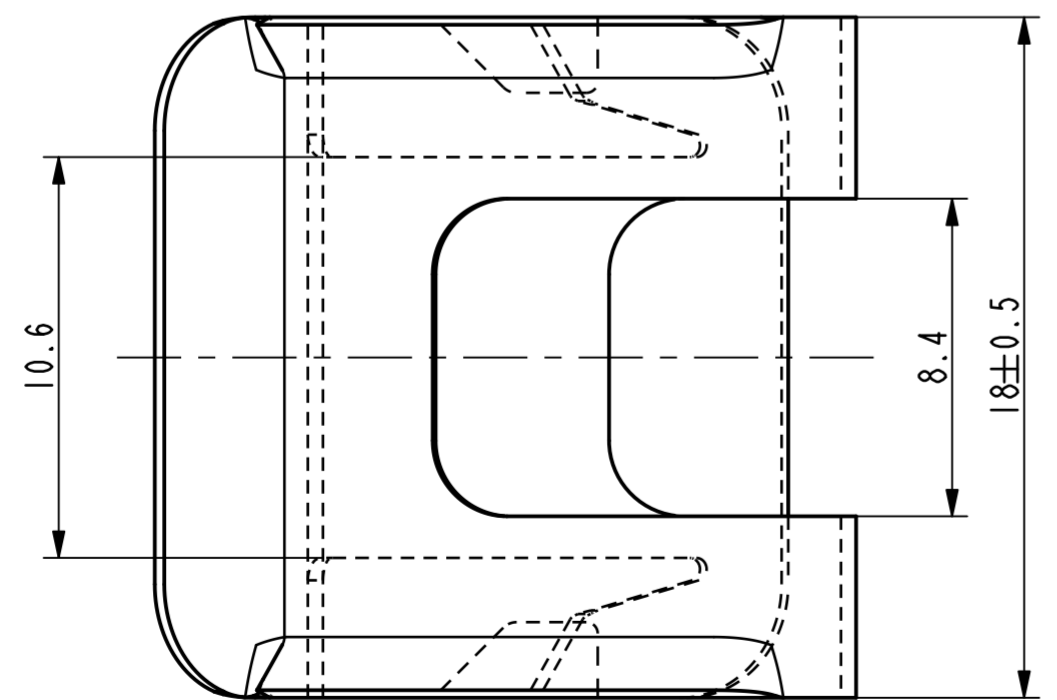
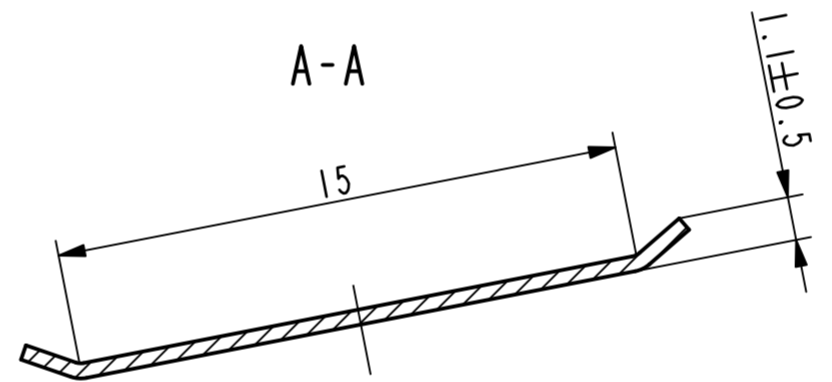


Vor Auslegung einer automatisierten Verarbeitung des Teils sollte Rücksprache mit Fa. ARaymond gehalten werden.
 Fully automatic processing of the part requires prior consultation with ARaymond.



Isometrische Ansicht /
 isometric view
 2:1



-	-	-	-	-
-	-	-	-	-
-	-	-	-	-
-	-	-	-	-
-	-	-	-	-
-	-	-	-	-
-	-	-	-	-
-	-	-	-	-
-	-	-	-	-
-	-	-	-	-
Ab	1x	Zeichnung ueberarbeitet nach AR-Gruppenstandard, Teil unveraendert, 04.07.13	Ru	-
-	-	Oberflaechevariante hinzug.	-	-
Rev.	Anzahl/ quantity	Aenderungsbeschreibung / modification description	Datum/date	Name
		ARaymond A RAYMOND GmbH & Co.KG	Teichstrasse 57 Germany - 79511 Loerrach Phone +49 (0) 7621 174-0 Fax +49 (0) 7621 174-225	

Bei Verstaeundnisproblemen beantragen Sie bitte beim Absender die deutsche Fassung vor jeder Anwendung.
 "CONDITIONS OF USE"
 This drawing and all information (the "Drawing") disclosed are the exclusive property of ARaymond.
 By using this Drawing the Addressee acknowledges and accepts that this Drawing
 (1) is covered by ARaymond' intellectual property rights or know-how and
 (2) is provided under the following conditions who represent a Deposit Agreement.
 This Drawing is for Addressee' internal use only limited to its estimation.
 Without prior written consent of ARaymond, no permission or rights for any purpose, is hereby granted, such as, without any limitation,
 (1) the copy, in part or entirely
 (2) and/or the presentation, in part or entirely, to any other third party outside the Addressee' company or in the company but with no interest
 (3) and/or the distribution of the Drawing, in part or entirely, in any medium
 (4) and/or the creation of any derivative work.
 In case of breach of these conditions, Addressee shall indemnify ARaymond from and against all damages (compensatory or consequential),
 costs, expenses and charges, caused or arising out of or attributable to its willful misconduct, fraud, negligence, infringement of
 ARaymond' intellectual property rights. If the Addressee does not accept these conditions, please notify ARaymond' sender immediately.

Intellectual property rights	vorbehalten / all rights reserved		Classification code	BACD-	
Ersatz fuer/ substitute for	018551.C.01/Aa/03.05.2007	Entw.Ref./ dev.ref.	Projekt-Nr./ project no.		
Masstab/ scale	5:1	Allgemeintoleranz/ general tolerance	Datum/ date	04.07.2013	
Format	A2	±0.3 / ±5°	Erstellt von/ prepared by	Ruzicka	
Freigegeben/ approved	20130710080059	Freigegeben/ approved	Volumen/ volume (mm³)	316.5	
		Bleekdicker/ met. thickness DIN EN 10140	0.40	Gericht/ weight (g)	2.5
Oberfl./ finish	metallhaltige Korrosionsschutzbeschichtung, Farbe silber metallic corrosion protection coated, colour silver			Oberfl. Code/ finish code	5440
Werkstoffbehandl./ material treatment	zwischenstufenverguetet / austempered 435 ... 535 HV 5				
Werkstoff/ material	C67S DIN EN 10132-4			Mat. code	1000
Bezeichnung/ title	Leitungsbefestiger cable clip				
Teil-Nr. / part no.	018551-0-02			Drawing type	C:Customer
Kundenteile-Nr. / customer part no.	-			Blatt / sheet	1 / 1
CAD system & version	ProE WF4		Dateiname / filename	018551-0C00	

Ab	018551-0-05	metallhaltige Korrosionsschutzbeschichtung, Farbe silber, GZ metallic corrosion protection coated, colour silver, lubricated	4001
	018551-0-04	metallhaltige Korrosionsschutzbeschichtung, Farbe silber, GZ metallic corrosion protection coated, colour silver, lubricated	4004
	018551-0-03	metallhaltige Korrosionsschutzbeschichtung, Farbe silber, GZ metallic corrosion protection coated, colour silver, lubricated	5452
Teil-Nr. / part no.	Oberflaeche / Farbe / finish / colour		Oberfl. Code/ finish code
Ausfuhrung / Execution			