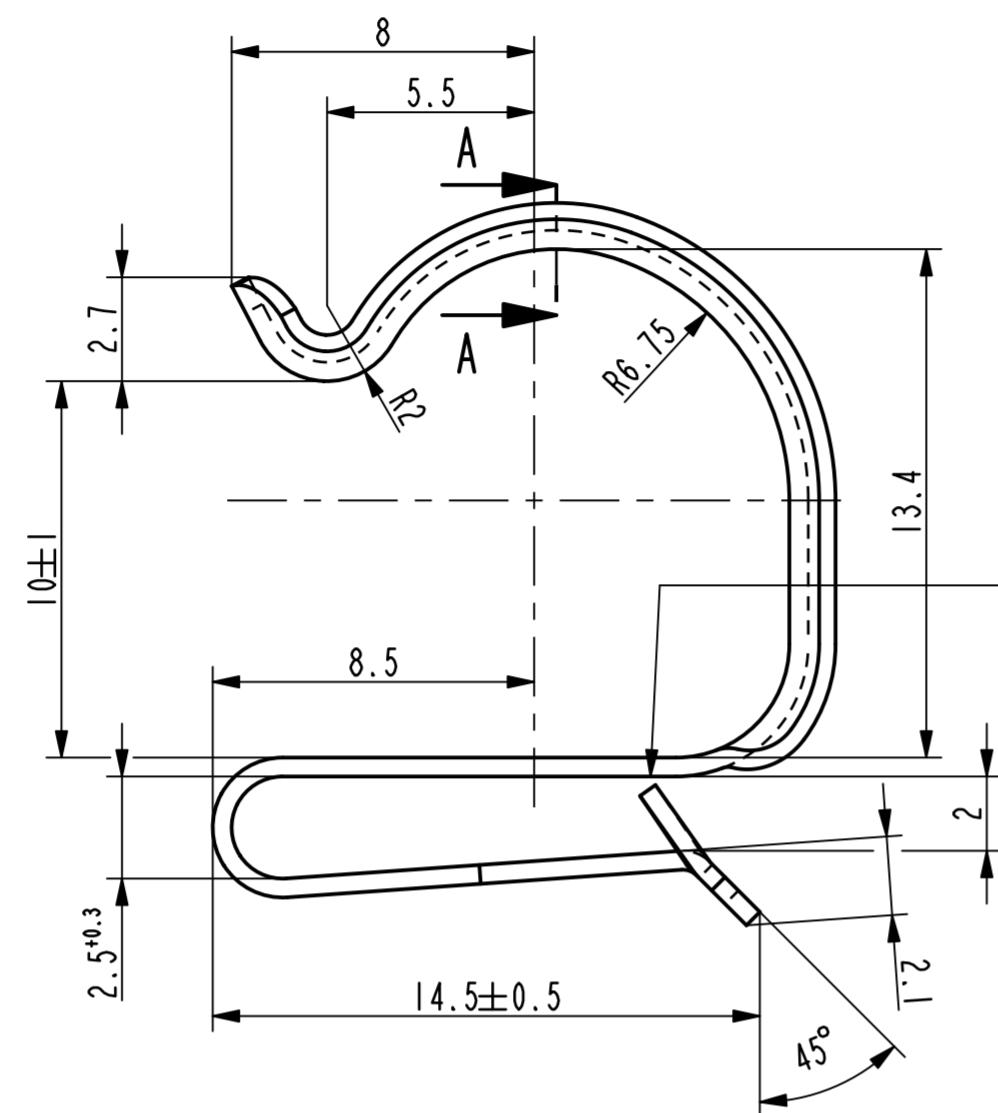
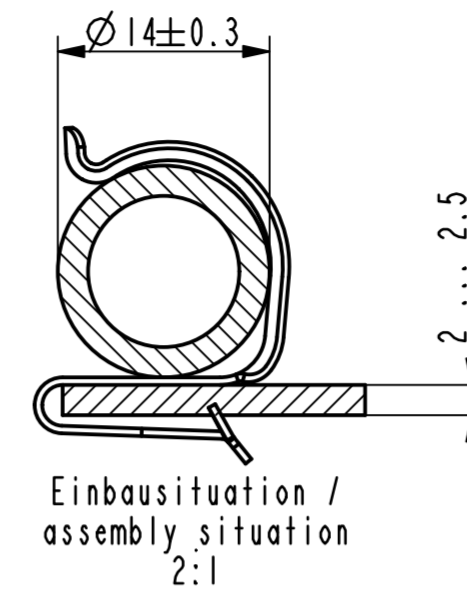


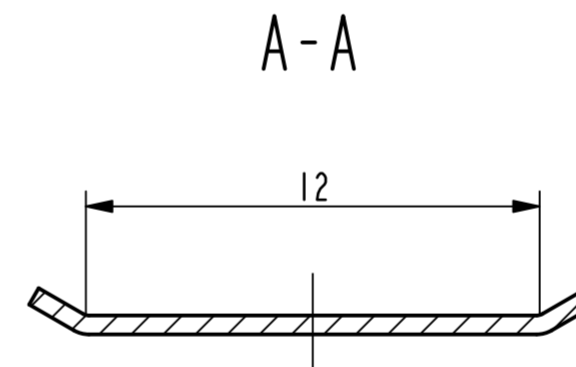
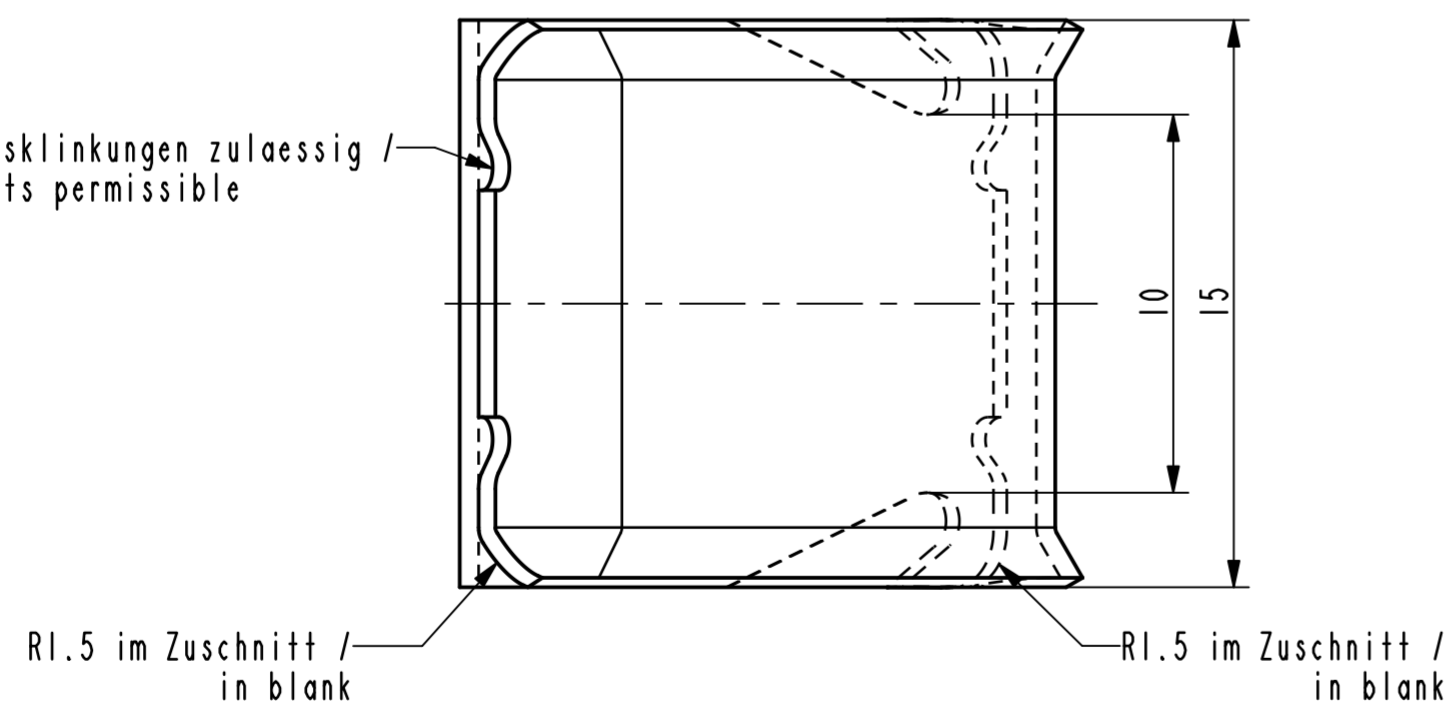
Vor Auslegung einer automatisierten Verarbeitung des Teils sollte Rücksprache mit Fa. ARaymond gehalten werden.
Fully automatic processing of the part requires prior consultation with ARaymond.



Ueberbrueckung der Oeffnung durch
Oberflaechenbeschichtung zulaessig /
surface finish bridging permissible (Dc)



Alle dargestellten Ausklinnungen zulaessig /
all represented cutouts permissible



<http://www.cergy-vis.fr>
[CERGY-VIS]
 ET SI ON PARLAIT SERVICE

018348-0-05	verzinkt / passiviert farblos zinc plated / passivated colourless	3250
018348-0-04	metallhaltige Korrosionsschutzbeschichtung, Farbe silber, 6L metallic corrosion protection coated, colour silver, lubricated	4001
018348-0-03	metallhaltige Korrosionsschutzbeschichtung, Farbe silber metallic corrosion protection coated, colour silver	5410
Teil-Nr. / part no.	Oberflaeche / Farbe / finish / colour	Oberfl. Code / finish code
Ausfuhrung / Execution		

-	-	-	-	-	-	
-	-	-	-	-	-	
-	-	-	-	-	-	
-	-	-	-	-	-	
-	-	-	-	-	-	
-	-	-	-	-	-	
-	-	-	-	-	-	
-	-	-	-	-	-	
-	-	-	-	-	-	
Dc	1x	Zeichnung ueberarbeitet nach AR-Gruppenstandard, Teil unveraendert	09.07.12	mj		
-	-	Oberflaechenvariante entfernt (3000); Bemerkung hinzuef.	-	-		
Rev.	Anzahl/ quantity	Aenderungsbearbeitung / modification description	Datum/date	Name		
		ARaymond A RAYMOND GmbH & Co.KG		Teichstrasse 57 Germany - 79511 Loerrach Phone +49 (0) 7621 174-0 Fax +49 (0) 7621 174-225		
Bei Verstaendnisproblemen beantragen Sie bitte beim Absender die deutsche Fassung vor jeder Anwendung. "CONDITIONS OF USE" This drawing and all information (the "Drawing") disclosed are the exclusive property of ARaymond. By using this Drawing the Addressee acknowledge and accept that this Drawing (1) is covered by ARaymond' Intellectual property rights or know-how and (2) is provided under the following conditions who represent a Deposit Agreement. This Drawing is for Addressee' Internal use only limited to its estimation. Without prior written consent of ARaymond, no permission or rights for any purpose, is hereby granted, such as, without any limitation, (1) the copy, in part or entirely, (2) and/or the presentation, in part or entirely, to any other third party outside the Addressee' company or in the company but with no interest (3) and/or the distribution of the Drawing, in part or entirely, in any medium (4) and/or the creation of any derivative work. In case of breach of these conditions, Addressee shall indemnify ARaymond from and against all damages (compensatory or consequential), costs, expenses and charges, caused or arising out of or attributable to its willful misconduct, fraud, negligence, infringement of ARaymond' Intellectual property rights. If the Addressee does not accept these conditions, please notify ARaymond' sender immediately.						
Intellectual property rights vorbehalten / all rights reserved		Classification code		BACD-		
Ersatz fuer/ substitute for		Entw.Ref./ dev.ref.		Projekt-Nr./ project no.		
018348.c.01/Db/12.10.2006						
Masstab/ scale	Format	Allgemeintoleranz/ general tolerance	Datum/ date	09.07.2012		
5:1	A2	±0.3 / ±5°	Erstellt von/ prepared by	M. Junge		
Projektion / projection		Freigegeben/ approved		20120711045848		
ALL DIMENSIONS ARE IN MILLIMETERS		Bleedhöhe/ net. thickness DIN EN 10140	0.50	Volumen/ volume (mm³)	433.0	
				Gericht/ weight (g)	3.4	
Oberfl./ finish	phosphatiert / impraegniert phosphated / oiled				Oberfl. Code/ finish code	
						5100
Werkstoffbehandl./ material treatment	zwischenstufenverguetet / austempered 435 ... 535 HV 5					
Werkstoff/ material	C67S DIN EN 10132-4				Mat. code	
						1000
Bezeichnung/ title		Leitungsbefestiger cable fastener				
Teil-Nr. / part no.		018348-0-02		Drawing type		
				C:Customer		
Kundenteile-Nr. / customer part no.		-		Blatt / sheet		
				1 / 1		
CAD system & version		ProE WF4		Dateiname / filename		
				018348-0C00		