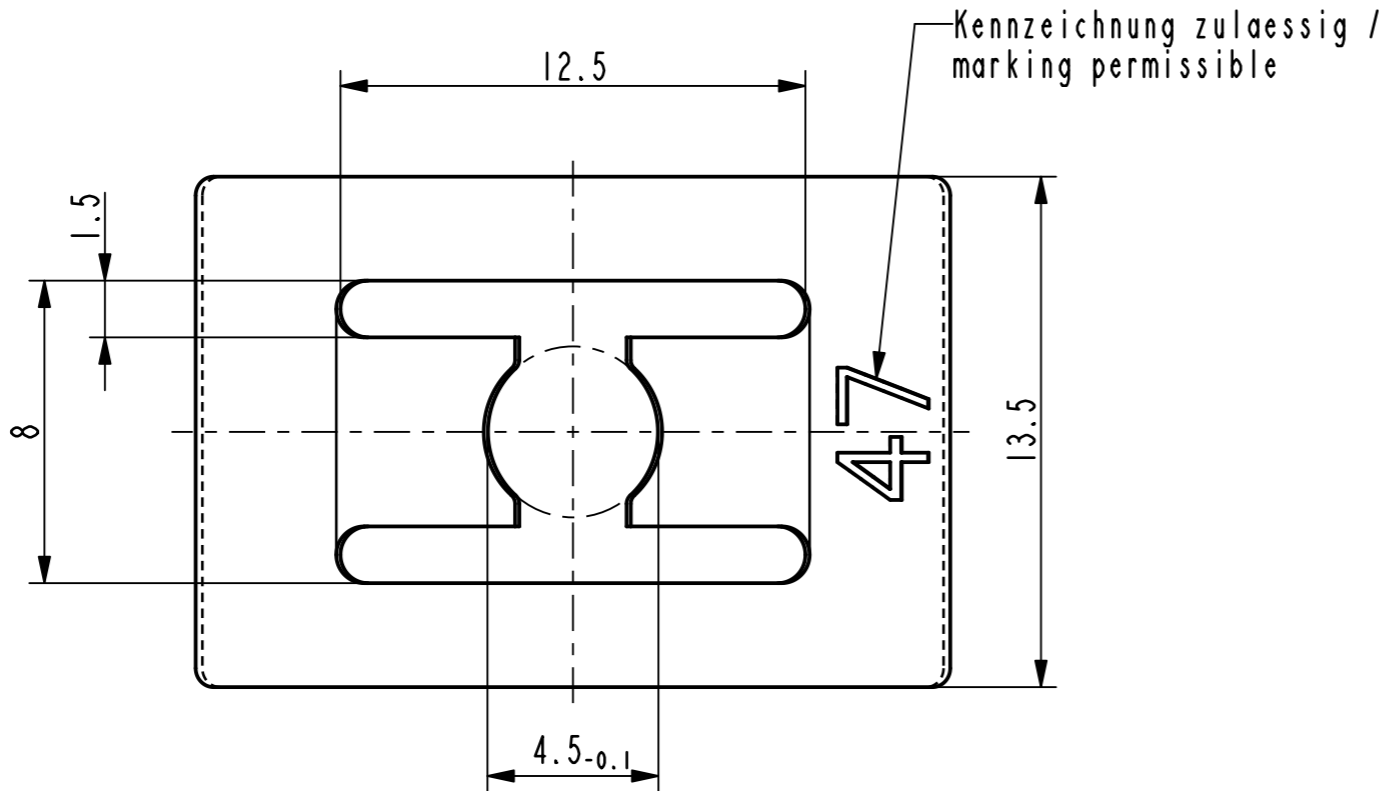
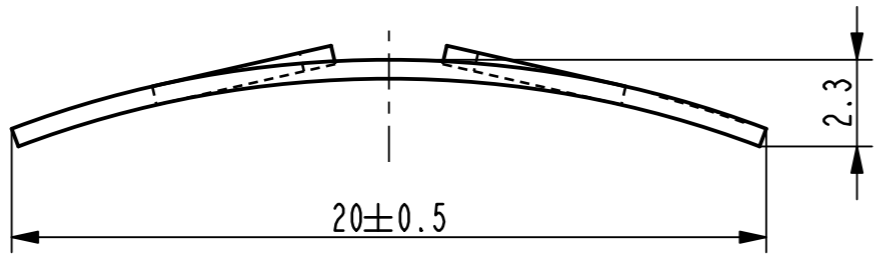


Isometrische Ansicht /
 isometric view
 2:1



011245-0-06	phosphatiert / impraegniert phosphated / oiled	5100
011245-0-05	mechanisch verzinkt / passiviert farblos, Gleitmitteldeckschicht mechanical zinc plated / passivated colourless, lubricated	3630
011245-0-04	verzinkt / passiviert farblos zinc plated / passivated colourless	3250
Teil-Nr. / part no.	Oberflaeche / Farbe / finish / colour	Oberfl. Code/ finish code
Ausfuehrung / Execution		

Vor Auslegung einer automatisierten Verarbeitung des Teils sollte Ruecksprache mit Fa. ARaymond gehalten werden.
 Fully automatic processing of the part requires prior consultation with ARaymond.

Rev.	Anzahl/ quantity	Aenderungsbeschreibung / modification description	Datum/date	Name
Bb	-	Oberflaechenvariante entfernt (3000, 3600)	18.07.11	mj
-	-	-	-	-
-	-	-	-	-
-	-	-	-	-
-	-	-	-	-
-	-	-	-	-
-	-	-	-	-
-	-	-	-	-
-	-	-	-	-

ARaymond
 A RAYMOND GmbH & Co.KG

Teichstrasse 57
 Germany - 79511 Loerrach
 Phone +49 (0) 7621 174-0
 Fax +49 (0) 7621 174-225

Bei Verstaendnisproblemen beantragen Sie bitte beim Absender die deutsche Fassung vor jeder Anwendung.
"CONDITIONS OF USE"
 This drawing and all information (the "Drawing") disclosed are the exclusive property of ARaymond. By using this Drawing the Addressee acknowledges and accepts that this Drawing (1) is covered by ARaymond's intellectual property rights or know-how and (2) is provided under the following conditions who represent a Deposit Agreement. This Drawing is for Addressee's internal use only limited to its estimation. Without prior written consent of ARaymond, no permission or rights for any purpose, is hereby granted, such as, without any limitation, (1) the copy, in part or entirely, (2) and/or the presentation, in part or entirely, to any other third party outside the Addressee's company or in the company but with no interest (3) and/or the distribution of the Drawing, in part or entirely, in any medium (4) and/or the creation of any derivative work. In case of breach of these conditions, Addressee shall indemnify ARaymond from and against all damages (compensatory or consequential), costs, expenses and charges, caused or arising out of or attributable to its willful misconduct, fraud, negligence, infringement of ARaymond's intellectual property rights. If the Addressee does not accept these conditions, please notify ARaymond's sender immediately.

Intellectual property rights	vorbehalten / all rights reserved		Classification code	EAAB-	
Ersatz fuer/ substitutioe for	011245_c_01/Ba/15.02.2006	Entw.Ref./ dev.ref.	Projekt-Nr./ project no.	44645	
Maasstab/ scale	Format	Allgemeintoleranz/ general tolerance	Datum/ date	18.07.2011	
		± 0.25	Erstellt von/ prepared by	M. Junge	
Projektion / projection	Blechedicke/ mat. thickness DIN EN 10140	ALL DIMENSIONS ARE IN MILLIMETERS	Freigegeben/ approved	20110718130502	
		0.50	Volumen/ volume (mm³)	108.9	Gewicht/ weight (g)
Oberfl./ finish	verzinkt zinc plated			Oberfl. Code/ finish code	3200

Werkstoffbehandl./
 material treatment

zwischenstufenverguetet / austempered
 435 ... 535 HV 5

Werkstoff/
 material

C67S DIN EN 10132-4

Mat. code
 1000

Benennung/
 title

Federmutter
 fuer Bolzen Ø 4.75h11
 spring nut
 for bolt Ø 4.75h11

Teil-Nr./
 part no.

011245-0-02

Drawing type
 C:Customer

Kundenteile-Nr. / customer part no.	-	Blatt / sheet	1 / 1
CAD system & version		Dateiname / filename	
ProE WF4		011245-0C00	