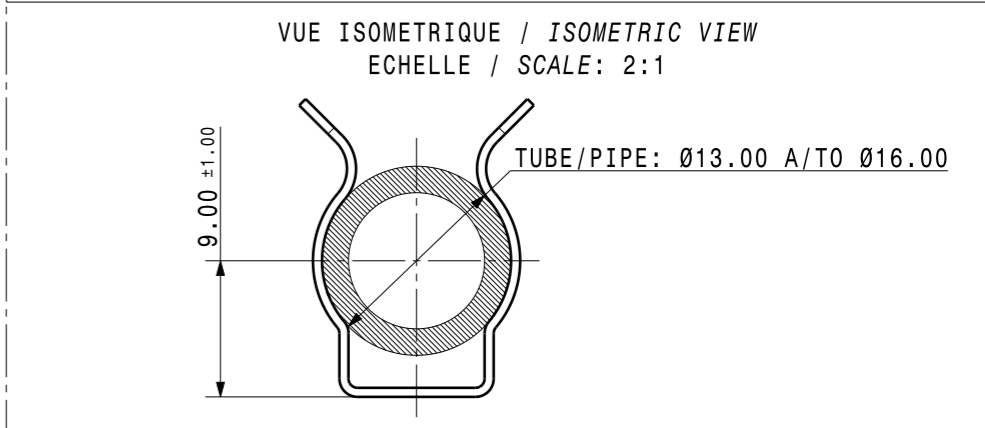


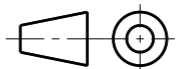
Variant	Finitions / Finishes
00	Zn 15µ min +Cr3 Protolux3000 + Ecotri Gris/grey BS RR:408H
02	BRUT DE TREMPE
03	ZnNi(12-15%[Ni])8µ min + Cr3 gris/grey + FOM ProtedurNi75+ Ecotri Gris/grey +Corrosil501 BS RR:720H

Une consultation préalable de A.Raymond SARL est nécessaire pour toute mise en place de la pièce en automatique.  
Automatic processing of the part requires prior consultation with A.Raymond SARL.



**ARaymond**  113 cours Berriat BP 157  
France - 38019 Grenoble cedex 1  
Tel +33 (0) 4 76 33 49 49  
Fax +33 (0) 4 76 78 20 50

Si problème de compréhension, merci de demander la version française à ARaymond avant toute utilisation.  
"CONDITIONS OF USE"  
This drawing and all information (the "Drawing") disclosed are the exclusive property of A.Raymond. By using this Drawing the Addressee acknowledges and accepts that this Drawing (1) is covered by A.Raymond intellectual property rights or know-how and (2) is provided under the following conditions who represent a Deposit Agreement. This Drawing is for Addressee internal use only limited to its estimation. Without prior written consent of A.Raymond, no permission or rights for any purpose, is hereby granted, such as, without any limitation, (1) the copy, in part or entirely (2) and/or the presentation, in part or entirely, to any other third party outside the Addressee company or in the company but with no interest (3) and/or the distribution of the Drawings, in part or entirely, in any medium (4) and/or the creation of any derivative work. In case of breach of these conditions, Addressee shall indemnify A.Raymond from and against all damages (compensatory or consequential), costs, expenses and charges, caused or arising out of or attributable to its willful misconduct, fraud, negligence, infringement of A.Raymond Intellectual Property rights. If the Addressee does not accept these conditions, please notify A.Raymond sender immediately.

Brevets / Patent rights		Classification code <b>BADD-</b>	
N° Projet / Project No.	Origine / Origin	Chef de projet / Project Manager	
Echelle / scale	Format	Tolerance / General tolerance	Date
<b>5:1</b>	<b>A3</b>	Cf nota Cf nota	<b>10.10.2011</b>
		ALL DIMENSIONS ARE IN MILLIMETERS	Revisé / Prepared by
Epaisseur / Mat. thickness		Volume (mm³)	Poids / Weight (g)
<b>0,60</b>		<b>586,1</b>	<b>4,6</b>

Finition / finish  
**Voir nomenclature**  
**See parts list**

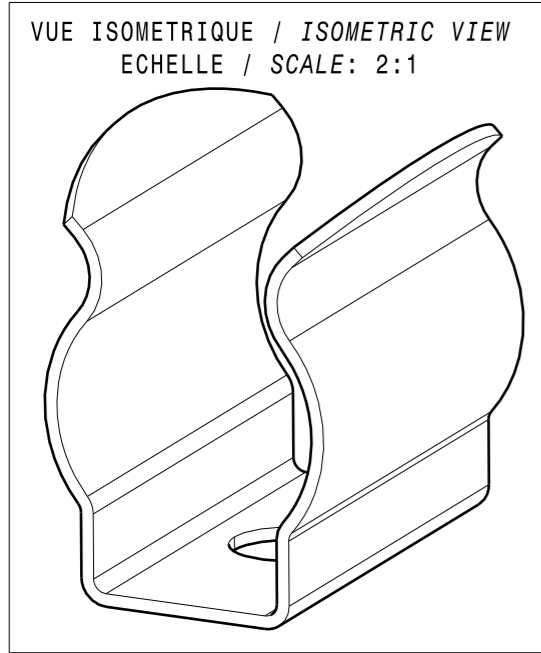
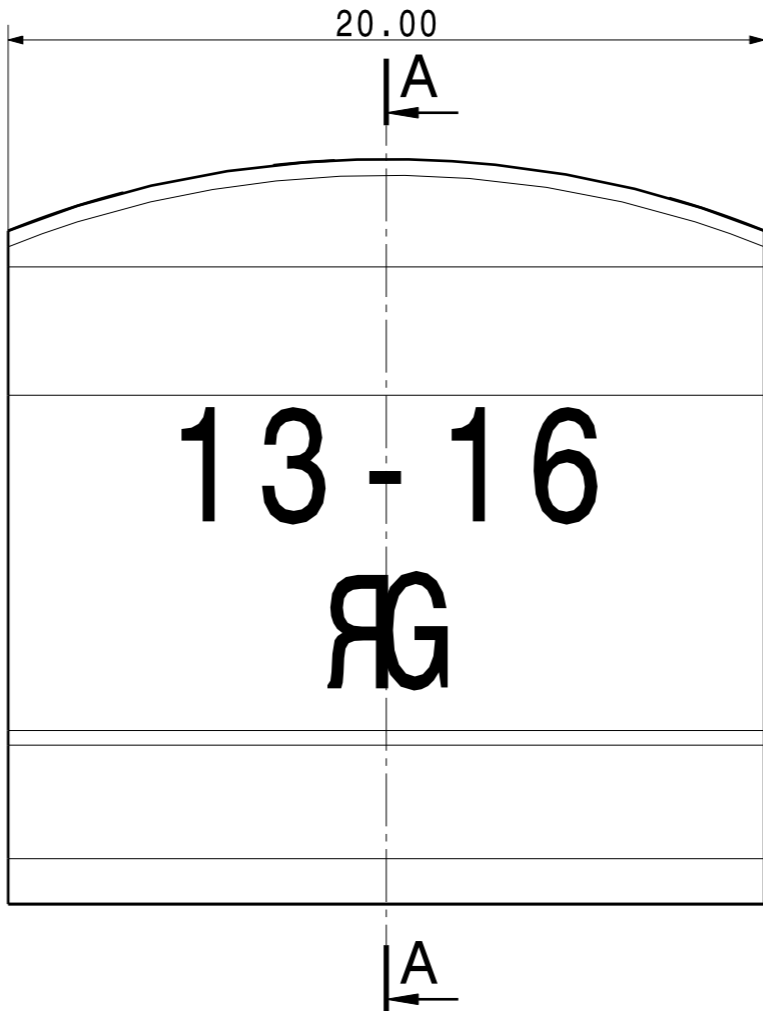
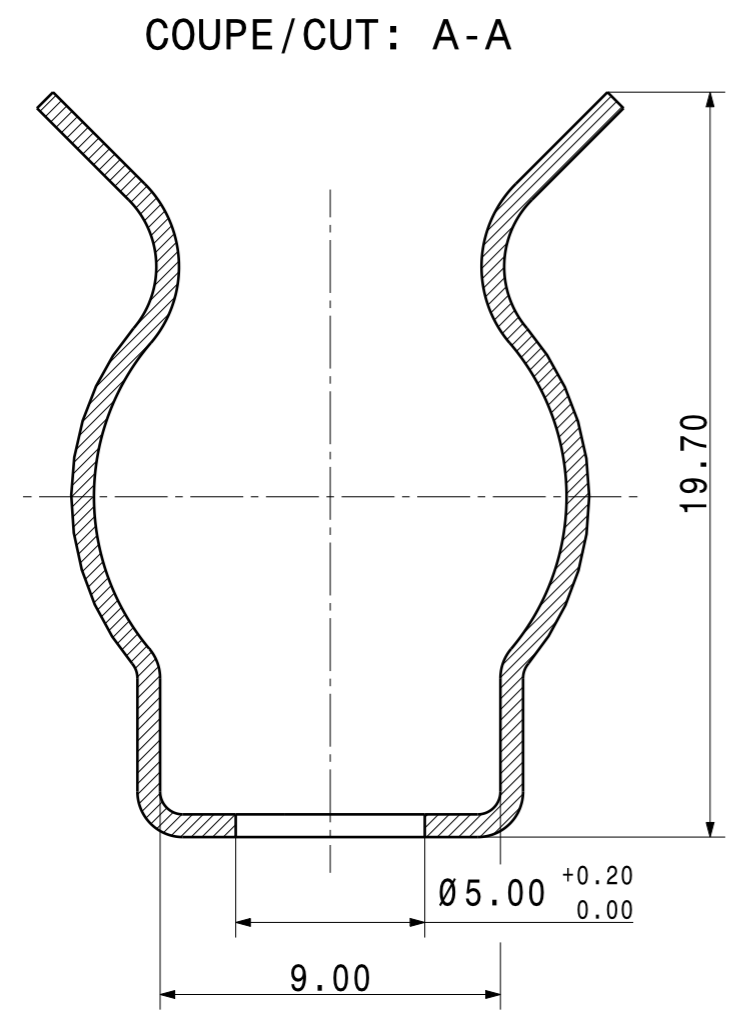
Traitement structural / Material treatment  
**C67S CR**  
**>0,5 : TTH.HR 30 N : 61,3 a 64,7 (42 a 46 HRC)**

Matière / Material  
**C67S-A**

Libelle / Title  
**Support tube**  
**Pipe clip**

Reference / Part no.  
**051964-0-00**

Ref. client / Customer part no.  
CAD system & version **CATIA V5 R19 SP7**  
Nom fichier / File name **051964-0C00**



<http://www.cergy-vis.fr>  
**[CERGY-VIS]**  
ET SI ON PARLAIT SERVICE

Gh	Quant.	Indexe / revision description	Date	Name
-	-	UPDATING DRAWING	10.10.11	GPA

VERIFIER L ECHELLE APRES PHOTOCOPIE / BEWARE SCALE AFTER COPY

4  
3  
2  
1

4  
3  
2  
1