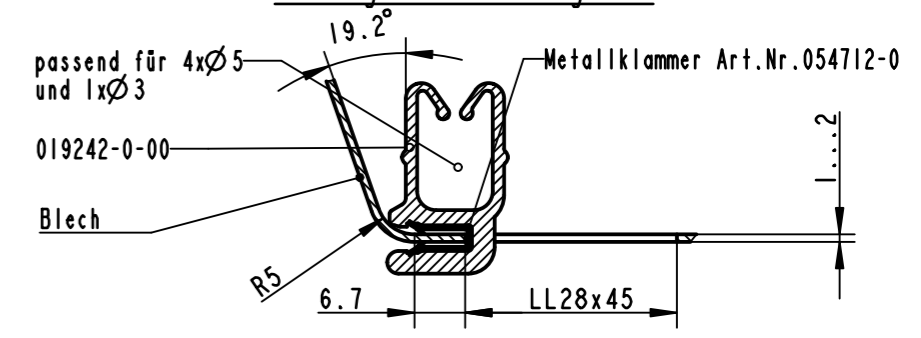


Kennzeichnung: / Identifikation:

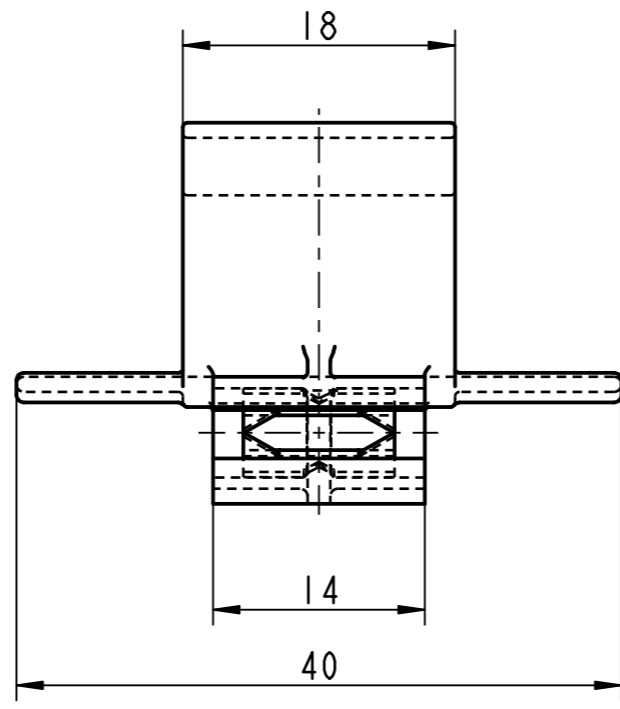
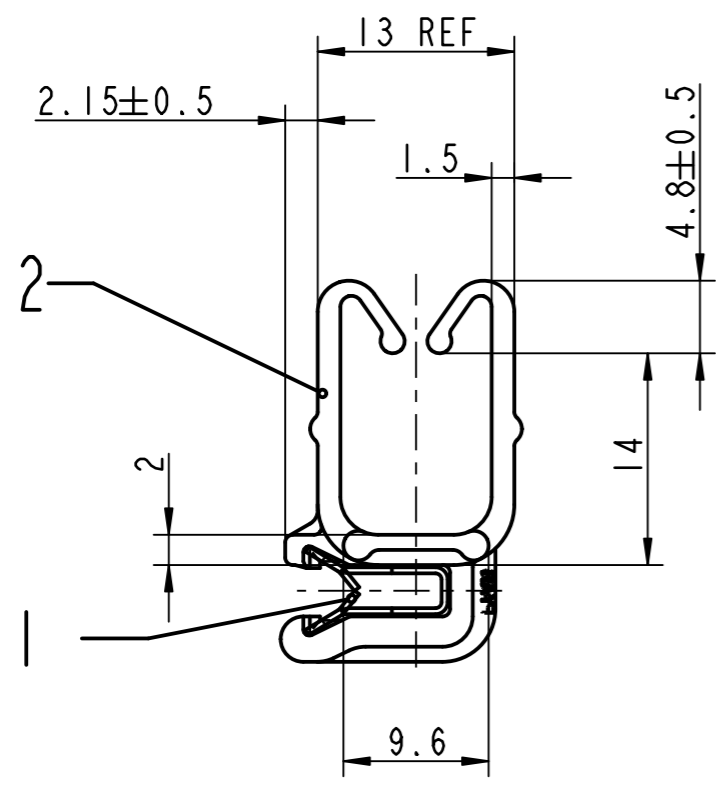
Hersteller-Code VW 105 40 - RAY
 Mfr.-Code
 Werkstoff-Code VDA 260 - >PA 66<
 Material-Code



Montagedarstellung 1:1



Entformungsschraege max. 1° zulaessig



Ca	lx	lwaykonform - Variante 01 hinzugefuegt	08.06.10	Sp
Rev.	Anzahl/ quantity	Aenderungsbeschreibung / modification description	Datum/date	Name

A Raymond GmbH & Co. KG
 Teichstrasse 57
 Germany - 79511 Loerrach
 Phone +49 (0) 7621 174-0
 Fax +49 (0) 7621 174-225

Bei Verstaendnisproblemen beantragen Sie bitte beim Absender die deutsche Fassung vor jeder Anwendung.
"CONDITIONS OF USE"
 This drawing and all information (the "Drawing") disclosed are the exclusive property of A.Raymond. By using this Drawing the Addressee acknowledges and accepts that this Drawing (1) is covered by A.Raymond' intellectual property rights or know-how and (2) is provided under the following conditions who represent a Deposit Agreement. This Drawing is for Addressee' internal use only limited to its estimation. Without prior written consent of A.Raymond, no permission or rights for any purpose, is hereby granted, such as, without any limitation, (1) the copy, in part or entirely, (2) and/or the presentation, in part or entirely, to any other third party outside the Addressee' company or in the company but with no interest (3) and/or the distribution of the Drawing, in part or entirely, in any medium (4) and/or the creation of any derivative work. In case of breach of these conditions, Addressee shall indemnify A.Raymond from and against all damages (compensatory or consequential), costs, expenses and charges, caused or arising out of or attributable to its willful misconduct, fraud, negligence, infringement of A.Raymond' intellectual property rights. If the Addressee does not accept these conditions, please notify A.Raymond' sender immediately.

Schutzrechte/ patent rights	vorbehalten / all rights reserved		Rasch Code/ classification	BACD-
Ersatz fuer/ substitutue for	082047_C_01/C/05.04.2004	Entw.Ref./ dev.ref.	Projekt-Nr./ project no.	
Masstab/ scale	Format	Allgemeintoleranz/ general tolerance	Datum/ date	08.06.2010
			Erstellt von/ prepared by	M. Schnurpfeil
Projektion / projection	ALL DIMENSIONS ARE IN MILLIMETERS		Freigegeben/ approved	20100611075254
Blechdicke/ mat. thickness DIN EN 10140	-	Volumen/ volume (mm³)	-	Gewicht/ weight (g)
Oberfl./ finish	-			Oberfl. Code/ finish code
Werkstoffbehandl./ material treatment	-			
Werkstoff/ material	siehe Zeichnung see drawing			Mat. code 8900

REF-Theoretische Maße,
 dienen nur der Werkzeugherstellung /
 theoretical dimensions are only
 used for the tool production

endgueltige Mass- und Toleranzfestlegung
 nach Erprobung der Serienteile /
 final dimensions and definition of tolerances
 after testing the serial parts

>400 <= 1000	±2	2	019242-0-00	PA 66 trockenschlagzaeh, waermestabil PA 66 dry impact strength, heat stabilized	farblos nature	FL	0000	082047-0-01
>120 <= 400	±1.5	1	054712-0-14	C 67 S DIN EN 10132-4 zwischenstufen- verguetet 405-505 HV5	metallhalt. Korrosions- schutzbeschichtung, schwarz. GZ		5453	
> 30 <= 120	±1	2	019242-0-00	PA 66 trockenschlagzaeh, waermestabil PA 66 dry impact strength, heat stabilized	farblos nature	FL	0000	082047-0-00
> 6 <= 30	±0.5	1	054712-0-07	C 67 S DIN EN 10132-4 zwischenstufen- verguetet 405-505 HV5	verzinkt gelbchromatis.		3000	
<= 6	±0.25							
Winkel / Angle	±3°							
Allgemeintoleranzen fuer Nennmaesse ohne Toleranz. General tolerances for nominal dimensions without specified tolerance.								
Pos.	Teil-Nr. / part. no.	Werkstoff / material		Oberflaeche / Farbe / finish / colour	Oberfl. Code / finish code	ZSB-Nr. / ASY. no.		

ZSB - Leitungshalter ASY - hose clip	
Teil-Nr./ part no.	082047-0-00
Kundenteile-Nr. / customer part no.	IJ5 971 611 A
CAD system & version	ProE WF3
Dateiname / filename	082047-0C00
Drawing type	Customer
Blatt / sheet	1 / 1