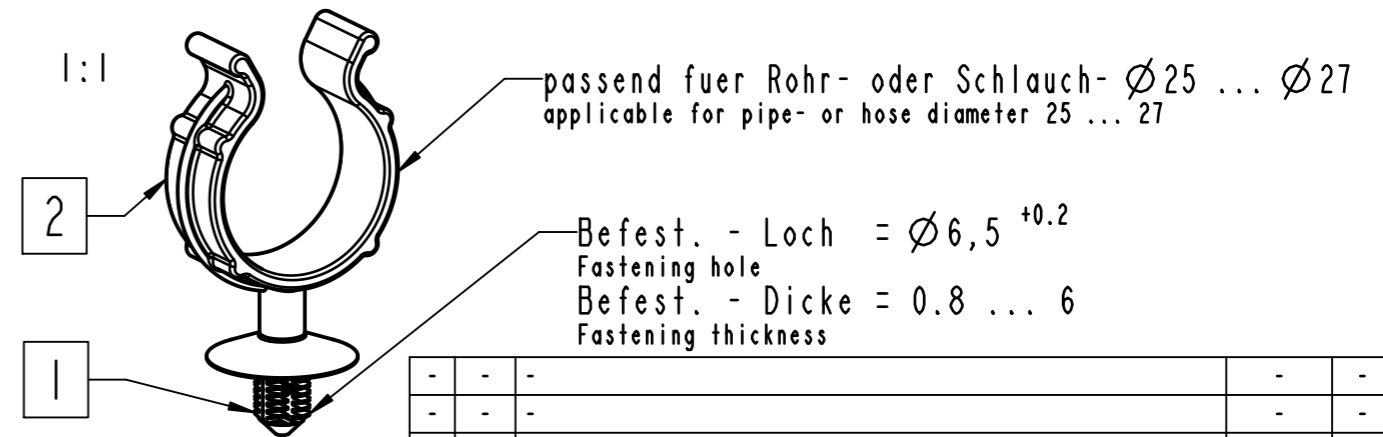
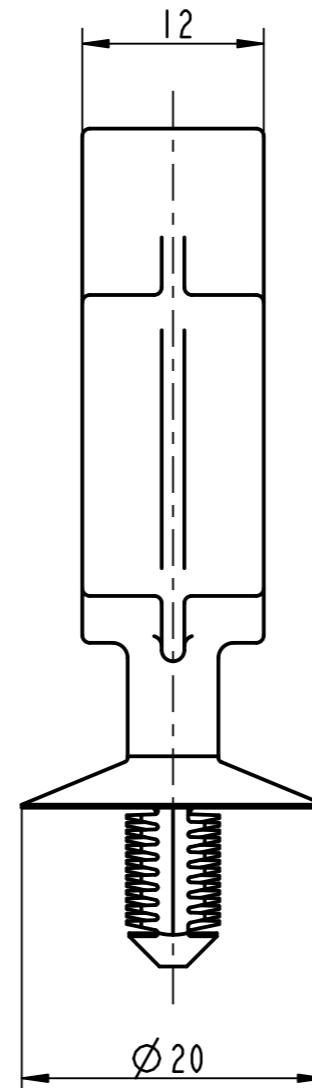
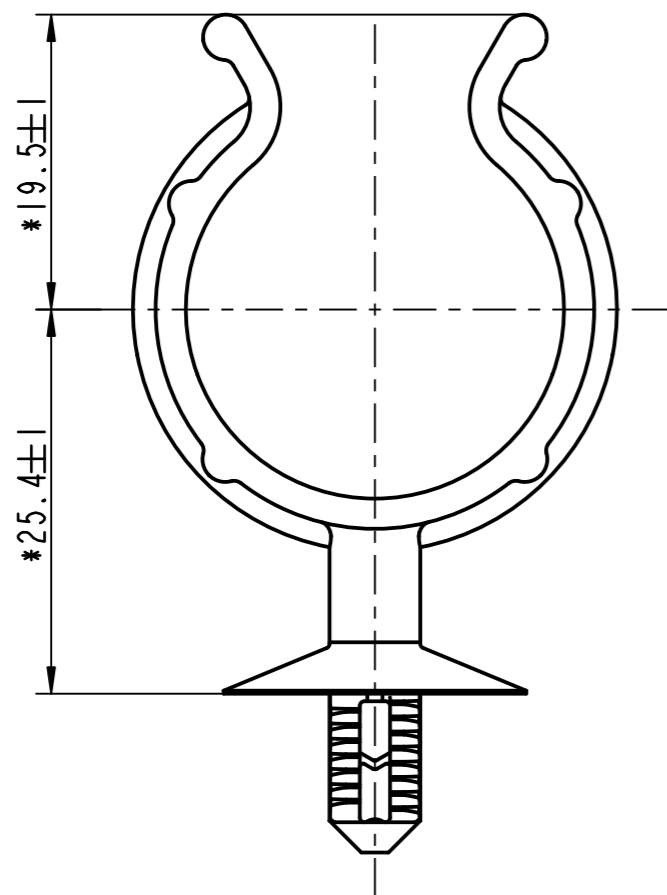


* Mass ist bei eingedrucktem
Pruefstift $\varnothing 25$ zu messen
dimension must be measured with
preassembled test pin $\varnothing 25$

Abzugskraft vom POM-Gegenstueck
mind. 80N bei Raumtemperatur
Pull-off force of POM-counterpart
min. 80N at room temperature $+23^{\circ} \pm 5K$



-	-	-	-	-
-	-	-	-	-
-	-	-	-	-
-	-	-	-	-
Aa	-	Zeichnung ueberarbeitet nach AR-Gruppenstandard, Teil unveraendert	21.11.12	kl
Rev.	Anzahl/ quantity	Aenderungsbeschreibung / modification description	Datum/date	Name

ARaymond
A RAYMOND GmbH & Co. KG

Teichstrasse 57
Germany - 79511 Loerrach
Phone +49 (0) 7621 174-0
Fax +49 (0) 7621 174-225

Bei Verstaendnisproblemen beantragen Sie bitte beim Absender die deutsche Fassung vor jeder Anwendung.

"CONDITIONS OF USE"

This drawing and all information (the "Drawing") disclosed are the exclusive property of ARaymond. By using this Drawing the Addressee acknowledges and accepts that this Drawing (1) is covered by ARaymond's intellectual property rights or know-how and (2) is provided under the following conditions who represent a Deposit Agreement. This Drawing is for Addressee's internal use only limited to its estimation. Without prior written consent of ARaymond, no permission or rights for any purpose, is hereby granted, such as, without any limitation, (1) the copy, in part or entirely, (2) and/or the presentation, in part or entirely, to any other third party outside the Addressee's company or in the company but with no interest (3) and/or the distribution of the Drawing, in part or entirely, in any medium (4) and/or the creation of any derivative work. In case of breach of these conditions, Addressee shall indemnify ARaymond from and against all damages (compensatory or consequential), costs, expenses and charges, caused or arising out of or attributable to its willful misconduct, fraud, negligence, infringement of ARaymond's intellectual property rights. If the Addressee does not accept these conditions, please notify ARaymond's sender immediately.

Schutzrechte/ IP rights		vorbehalten / all rights reserved		Classification Code		BADA-	
Ersatz fuer/ substitutio for		081474_C_01/1/13.01.2003		Entw.Ref./ dev.ref.		Projekt-Nr./ project no. 22331-K	
Masstab/ scale	Format	Allgemeintoleranz/ general tolerance	Datum/ date		21.11.2012		
2:1	A3	$\pm 0.5 / \pm 5^{\circ}$	Erstellt von/ prepared by		Klar		
Projektion / projection		ALL DIMENSIONS ARE IN MILLIMETERS		Freigegeben/ approved		20121121103322	
Oberfl./ finish		Blechedicke/ mat. thickness DIN EN 10140		Volumen/ volume (mm ³)		2926 Gewicht/ weight (g) 4.1	
Werkstoffbehandl./ material treatment		-		-		Oberfl. Code/ finish code -	
Werkstoff/ material		-		-		Mat. code 8800	



2	1	016423-0-03	POM - C - Standard	schwarz black	SW	7000	
1	1	017050-0-02	POM - Standard	schwarz black	SW		
Pos.	Anzahl/ quantity	Teil-Nr. / part. no.	Werkstoff / material	Oberflaeche / Farbe / finish / colour	ZSB_Oberfl. Code finish code	Kundenteile-Nr. / customer part no. -	
						Teil-Nr. / part no. 081474-0-01	Drawing type C:Customer
						CAD system & version ProE WF4	Blatt / sheet 1 / 1
						Dateiname / filename 081474-0C00	