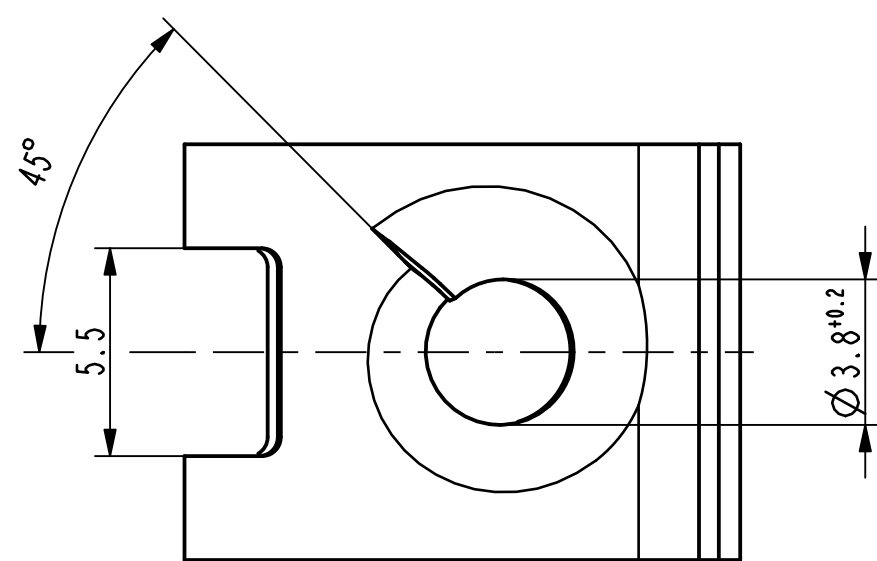


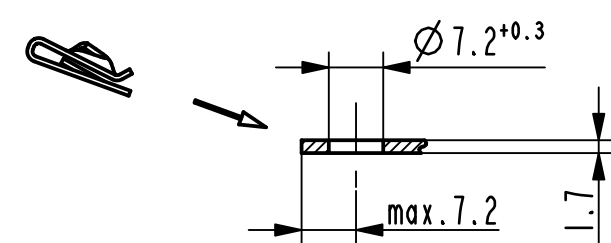
Ueberbrueckung der Oeffnung durch metallhaltige Korrosionsschutzbeschichtung zulaessig / surface finish bridging permissible



Vor Auslegung einer automatisierten Verarbeitung des Teils sollte Ruecksprache mit Fa. A.Raymond gehalten werden. Fully automatic processing of the part requires prior consultation with A.Raymond GmbH.



3D-Ansicht / isometrical view 2:1



Einbausituation / assembly situation 1:1

Rev.	Anzahl/quantity	Aenderungsbeschreibung / modification description	Datum/date	Name
-	-	-	-	-
-	-	-	-	-
-	-	-	-	-
-	-	-	-	-
-	-	-	-	-
-	-	-	-	-
-	-	-	-	-
-	-	-	-	-
-	-	-	-	-
-	-	-	-	-
-	-	-	-	-

Bc	-	Oberflaechenvariante entfernt	01.03.11	mj
Rev.	Anzahl/quantity	Aenderungsbeschreibung / modification description	Datum/date	Name
-	-	-	-	-

A Raymond
 GmbH & Co. KG
 Teichstrasse 57
 Germany - 79511 Loerrach
 Phone +49 (0) 7621 174-0
 Fax +49 (0) 7621 174-225

Bei Verstaeandisproblemen beantragen Sie bitte beim Absender die deutsche Fassung vor jeder Anwendung.
 "CONDITIONS OF USE"
 This drawing and all information (the "Drawing") disclosed are the exclusive property of A.Raymond. By using this Drawing the Addressee acknowledges and accepts that this Drawing (1) is covered by A.Raymond' intellectual property rights or know-how and (2) is provided under the following conditions who represent a Deposit Agreement. This Drawing is for Addressee' Internal use only limited to its estimation. Without prior written consent of A.Raymond, no permission or rights for any purpose, is hereby granted, such as, without any limitation, (1) the copy, in part or entirely, (2) and/or the presentation, in part or entirely, to any other third party outside the Addressee' company or in the company but with no interest (3) and/or the distribution of the Drawing, in part or entirely, in any medium (4) and/or the creation of any derivative work. In case of breach of these conditions, Addressee shall indemnify A.Raymond from and against all damages (compensatory or consequential), costs, expenses and charges, caused or arising out of or attributable to its willful misconduct, fraud, negligence, infringement of A.Raymond' intellectual property rights. If the Addressee does not accept these conditions, please notify A.Raymond' sender immediately.

Intellectual property rights	vorbehalten / all rights reserved		Classification code	AABAE
Ersatz fuer/ substitute for	013133.c.01/Bb/05.09.2006	Entw.Ref./ dev.ref.	Projekt-Nr./ project no. 47884-EM	
Masstab/ scale	5:1	Format	A2	Allgemeintoleranz/ general tolerance
Projektion / projection	FIRST ANGLE		Datum/ date	01.03.2011
Bleed/dieckel met. thickness DIN EN 10140	0.70	Erstellt von/ prepared by	M. Junge	
Oberfl./ finish	phosphatiert / impraegniert phosphated / oiled		Freigegeben/ approved	20110519090827
Werkstoffbehandl./ material treatment	zwischenstufenverguetet / austempered 375 ... 475 HV 5			
Werkstoff/ material	C67S DIN EN 10132-4		Volume/ volume (mm ³)	189.9
Bezeichnung/ title	Blechmutter fuer Gewinde EN ISO 1478-ST4.8 sheet metal nut for thread EN ISO 1478-ST4.8			
Teil-Nr. / part no.	013133-0-02		Weight/ weight (g)	1.5
Kundenteile-Nr. / customer part no.	-		Oberfl. Code/ finish code 5100	
CAD system & version	ProE WF4		Material code 1000	
Dateiname / filename	013133-0C00			

013133-0-06	metallhaltige Korrosionsschutzbeschichtung, Farbe silber, GZ metallic corrosion protection coated, colour silver, lubricated	4001
013133-0-05	verzinkt / passiviert farblos zinc plated / passivated colourless	3250
013133-0-04	metallhaltige Korrosionsschutzbeschichtung, Farbe silber metallic corrosion protection coated, colour silver	5410
013133-0-03	metallhaltige Korrosionsschutzbeschichtung, Farbe silber, GZ metallic corrosion protection coated, colour silver, lubricated	5450
Teil-Nr. / part no.	Oberflaeche / Farbe / finish / colour	Oberfl. Code/ finish code
Ausfuhrung / Execution		