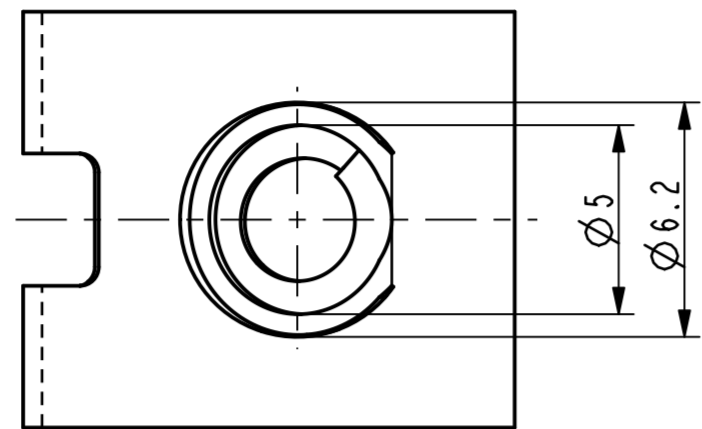

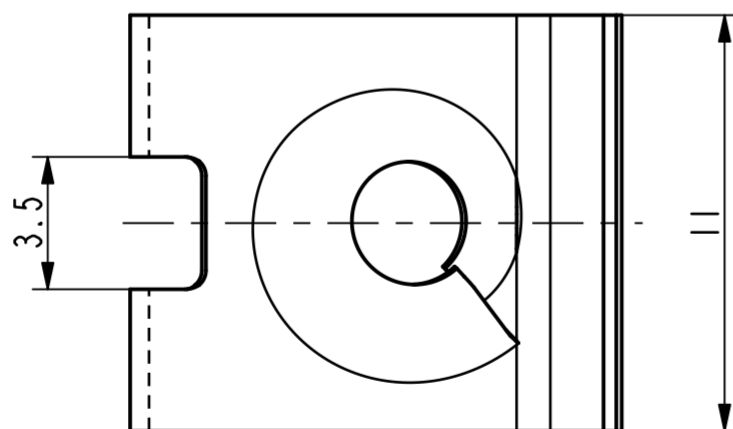
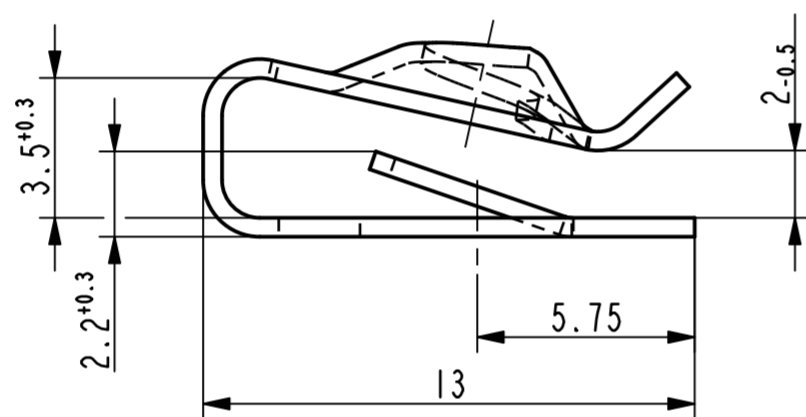
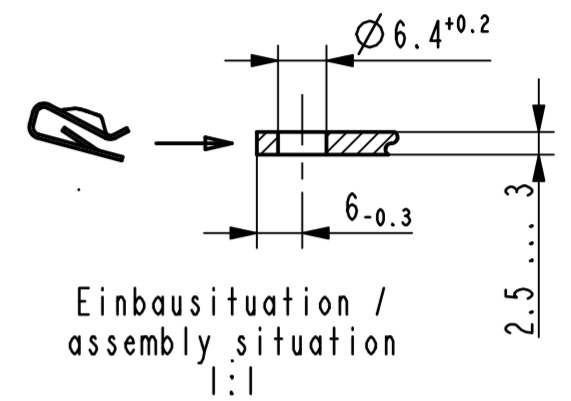


Vor Auslegung einer automatisierten Verarbeitung des Teils sollte Rücksprache mit Fa. A.Raymond gehalten werden.  
 Fully automatic processing of the part requires prior consultation with A.Raymond GmbH.



  
 3D-Ansicht /  
 isometrical view  
 2:1



-	-	-	-	-
-	-	-	-	-
-	-	-	-	-
-	-	-	-	-
-	-	-	-	-
-	-	-	-	-
-	-	-	-	-
-	-	-	-	-
-	-	-	-	-
-	-	-	-	-
-	-	-	-	-
Bb	-	Oberflaechenvariante entfernt (3000, 3300)	11.01.11	mj

Rev.	Anzahl/ quantity	Aenderungsbeschreibung / modification description	Datum/date	Name

 Teichstrasse 57  
 Germany - 79511 Loerrach  
 Phone +49 (0) 7621 174-0  
 Fax +49 (0) 7621 174-225

Bei Verständnisproblemen beantragen Sie bitte beim Absender die deutsche Fassung vor jeder Anwendung.  
**"CONDITIONS OF USE"**  
 This drawing and all information (the "Drawing") disclosed are the exclusive property of A.Raymond.  
 By using this Drawing the Addressee acknowledges and accepts that this Drawing  
 (1) is covered by A.Raymond' Intellectual property rights or know-how and  
 (2) is provided under the following conditions who represent a Deposit Agreement.  
 This Drawing is for Addressee' Internal use only limited to its estimation.  
 Without prior written consent of A.Raymond, no permission or rights for any purpose, is hereby granted, such as, without any limitation,  
 (1) the copy, in part or entirely  
 (2) and/or the presentation, in part or entirely, to any other third party outside the Addressee' company or in the company but with no interest  
 (3) and/or the distribution of the Drawing, in part or entirely, in any medium  
 (4) and/or the creation of any derivative work.  
 In case of breach of these conditions, Addressee shall indemnify A.Raymond from and against all damages (compensatory or consequential),  
 costs, expenses and charges, caused or arising out of or attributable to its willful misconduct, fraud, negligence, infringement of  
 A.Raymond' Intellectual property rights. If the Addressee does not accept these conditions, please notify A.Raymond' sender immediately.

Intellectual property rights	vorbehalten / all rights reserved			Classification code	AABAD	
Ersatz fuer/ substitute for	014339_c.01/Ba/23.06.2006	Entw.Ref./ dev.ref.		Projekt-Nr./ project no.	50511-EM	
Maßstab/ scale	Format	Allgemeintoleranz/ general tolerance	Datum/ date	11.01.2011		
		±0.25	Erstellt von/ prepared by	M. Junge		
Projektion / projection	ALL DIMENSIONS ARE IN MILLIMETERS		Freigegeben/ approved	20110111062710		
	Blechkörte/ met. thickness DIN EN 10140	0.50	Volumen/ volume (mm³)	137.0	Gewicht/ weight (g)	1.1
Oberfl./ finish	verzinkt zinc plated				Oberfl. Code/ finish code	3200

Werkstoffbehandl./  
material treatment  
 zwischenstufenverguetet / austempered  
 375 ... 475 HV 5

Werkstoff/  
material  
 C67S DIN EN 10132-4  
 Mat. code  
 1000

Bezeichnung/  
title  
**Blechmutter**  
 fuer Gewinde EN ISO 1478 - ST4.2  
**sheet metal nut**  
 for thread EN ISO 1478 - ST4.2

5100  
 014339-0-02  
 Drawing type  
 C:Customer

014339-0-11	verzinkt / passiviert farblos zinc plated / passivated colourless	3250
014339-0-10	metallhaltige Korrosionsschutzbeschichtung, Farbe schwarz, GZ metallic corrosion protection coated, colour black, lubricated	5453
014339-0-09	metallhaltige Korrosionsschutzbeschichtung, Farbe silber metallic corrosion protection coated, colour silver	5412
014339-0-07	metallhaltige Korrosionsschutzbeschichtung, Farbe silber, GZ metallic corrosion protection coated, colour silver, lubricated	5452
014339-0-06	metallhaltige Korrosionsschutzbeschichtung, Farbe schwarz metallic corrosion protection coated, colour black	5441
014339-0-05	metallhaltige Korrosionsschutzbeschichtung, Farbe silber metallic corrosion protection coated, colour silver	5410
014339-0-04	phosphatiert / impraegniert phosphated / oiled	5100
Teil-Nr. / part no.	Oberflaeche / Farbe / finish / colour	Oberfl. Code/ finish code
Ausfuhrung / Execution		

Kundenteile-Nr. / customer part no. -  
 Blatt / sheet 1 / 1  
 CAD system & version ProE WF4  
 Dateiname / filename 014339-0C00