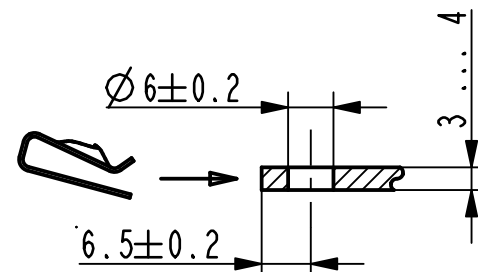
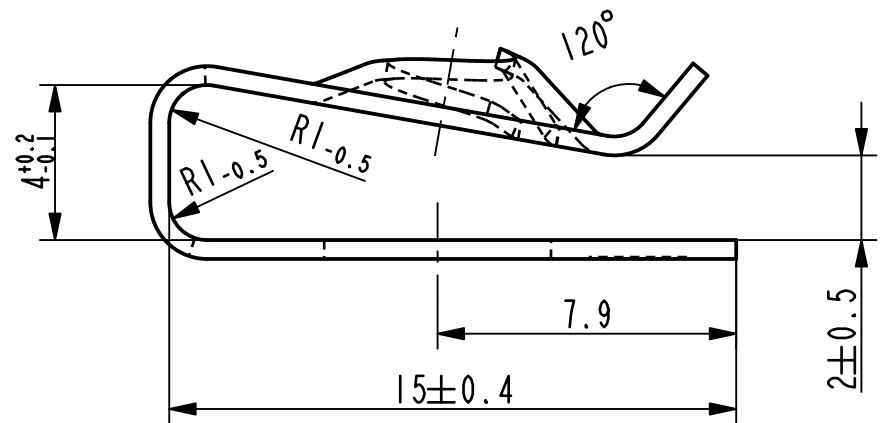
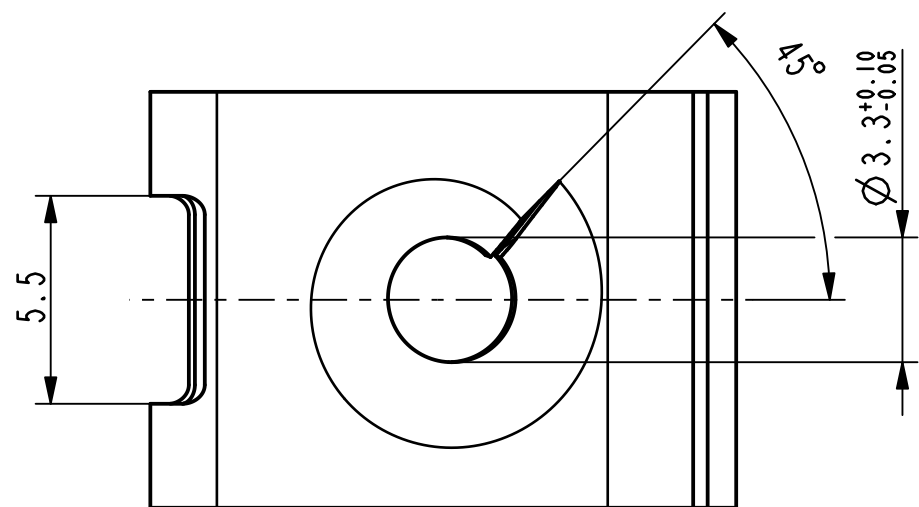


3D-Ansicht /  
isometrical view  
2:1

Kennzeichnung zulaessig /  
marking permissible



Einbausituation /  
assembly situation  
1:1



Vor Auslegung einer automatisierten Verarbeitung des Teils sollte Ruecksprache mit Fa. A.Raymond gehalten werden.  
Fully automatic processing of the part requires prior consultation with A.Raymond GmbH.

-	-	-	-	-
-	-	-	-	-
-	-	-	-	-
-	-	-	-	-
-	-	-	-	-
-	-	-	-	-
-	-	-	-	-
-	-	-	-	-
-	-	-	-	-
-	-	-	-	-

Be	-	Oberflaechenvariante entfernt (3400)	21.09.10	mj
Rev.	Anzahl/ quantity	Aenderungsbeschreibung / modification description	Datum/date	Name



Teichstrasse 57  
Germany - 79511 Loerrach  
Phone +49 (0) 7621 174-0  
Fax +49 (0) 7621 174-225

Bei Verstaendnisproblemen beantragen Sie bitte beim Absender die deutsche Fassung vor jeder Anwendung.  
"CONDITIONS OF USE"  
This drawing and all information (the "Drawing") disclosed are the exclusive property of A.Raymond. By using this Drawing the Addressee acknowledges and accepts that this Drawing (1) is covered by A.Raymond' intellectual property rights or know-how and (2) is provided under the following conditions who represent a Deposit Agreement. This Drawing is for Addressee' Internal use only limited to its estimation. Without prior written consent of A.Raymond, no permission or rights for any purpose, is hereby granted, such as, without any limitation, (1) the copy, in part or entirely, (2) and/or the presentation, in part or entirely, to any other third party outside the Addressee' company or in the company but with no interest (3) and/or the distribution of the Drawing, in part or entirely, in any medium (4) and/or the creation of any derivative work. In case of breach of these conditions, Addressee shall indemnify A.Raymond from and against all damages (compensatory or consequential), costs, expenses and charges, caused or arising out of or attributable to its willful misconduct, fraud, negligence, infringement of A.Raymond' intellectual property rights. If the Addressee does not accept these conditions, please notify A.Raymond' sender immediately.

Schutzrechte/ patent rights	vorbehalten / all rights reserved			Rasch Code/ classification	AAAA	
Ersatz fuer/ substitut for	011745_c_01/Bd/23.07.2007	Entw.Ref./ dev.ref.	Projekt-Nr./ project no.			
Maszstab/ scale	Format	Allgemeintoleranz/ general tolerance	Datum/ date	21.09.2010		
			Erstellt von/ prepared by	M. Junge		
Projektion / projection	ALL DIMENSIONS ARE IN MILLIMETERS	Freigegeben/ approved	20100921080544			
			Blechedicke/ mat. thickness DIN EN 10140	0.50	Volumen/ volume (mm³)	156.5
Oberfl./ finish	phosphatiert / impraegniert phosphated / oiled				Oberfl. Code/ finish code	5100
Werkstoffbehandl./ material treatment	zwischenstufenverguetet / austempered 435 ... 535 HV 5					
Werkstoff/ material	C67S DIN EN 10132-4				Mat. code	1000

011745-0-07	metallhaltige Korrosionsschutzbeschichtung, Farbe silber, GZ metallic corrosion protection coated, colour silver, lubricated	4004
011745-0-06	metallhaltige Korrosionsschutzbeschichtung, Farbe silber, GZ metallic corrosion protection coated, colour silver, lubricated	4001
011745-0-05	verzinkt / passiviert farblos zinc plated / passivated colourless	3250
011745-0-04	metallhaltige Korrosionsschutzbeschichtung, Farbe silber metallic corrosion protection coated, colour silver	5410
011745-0-03	metallhaltige Korrosionsschutzbeschichtung, Farbe silber metallic corrosion protection coated, colour silver	5450
Teil-Nr. / part no.	Oberflaeche / Farbe / finish / colour	Oberfl. Code/ finish code
Ausfuehrung / Execution		

Benennung/ title	Blechmutter fuer Gewinde EN ISO 1478-ST4.2 sheet metal nut for thread EN ISO 1478-ST4.2		
Teil-Nr./ part no.	011745-0-02	Drawing type Customer	
Kundenteile-Nr. / customer part no.	-	Blatt / sheet   /	
CAD system & version	ProE WF3	Dateiname / filename	011745-0C00

