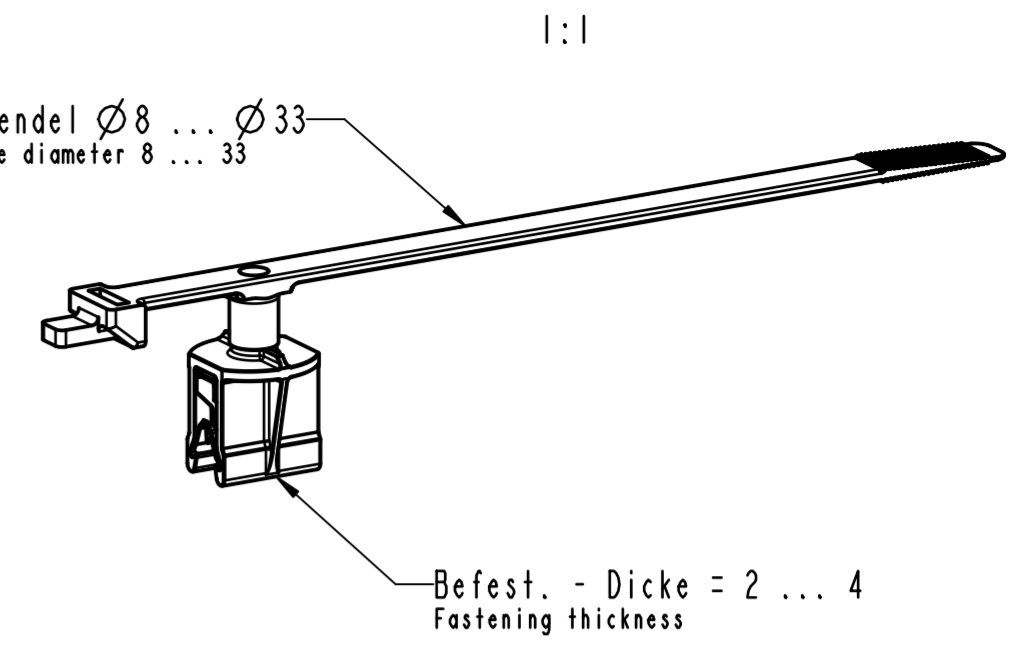


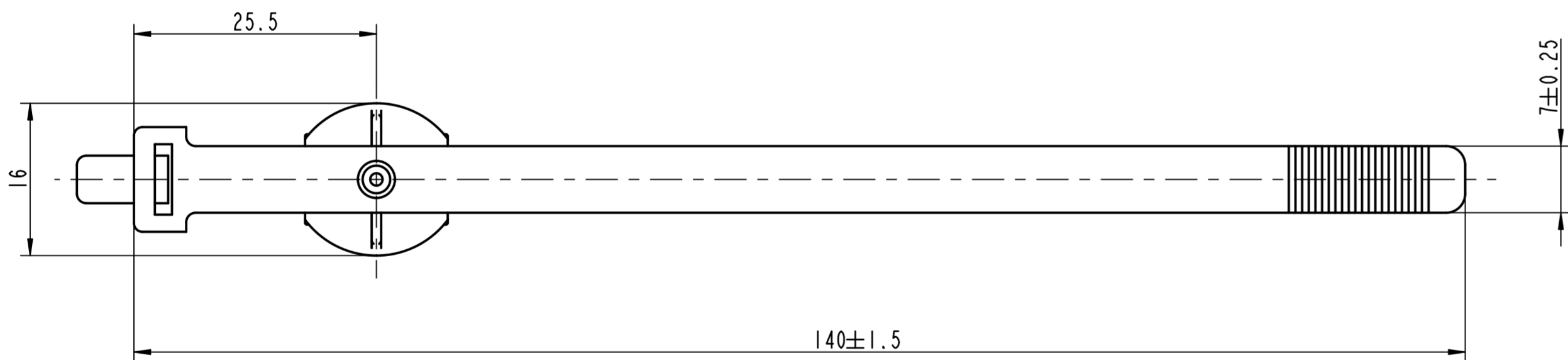
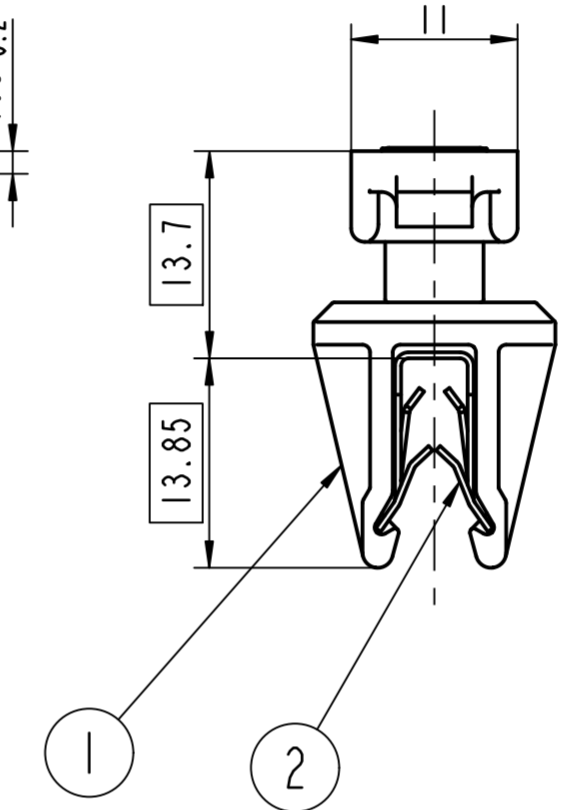
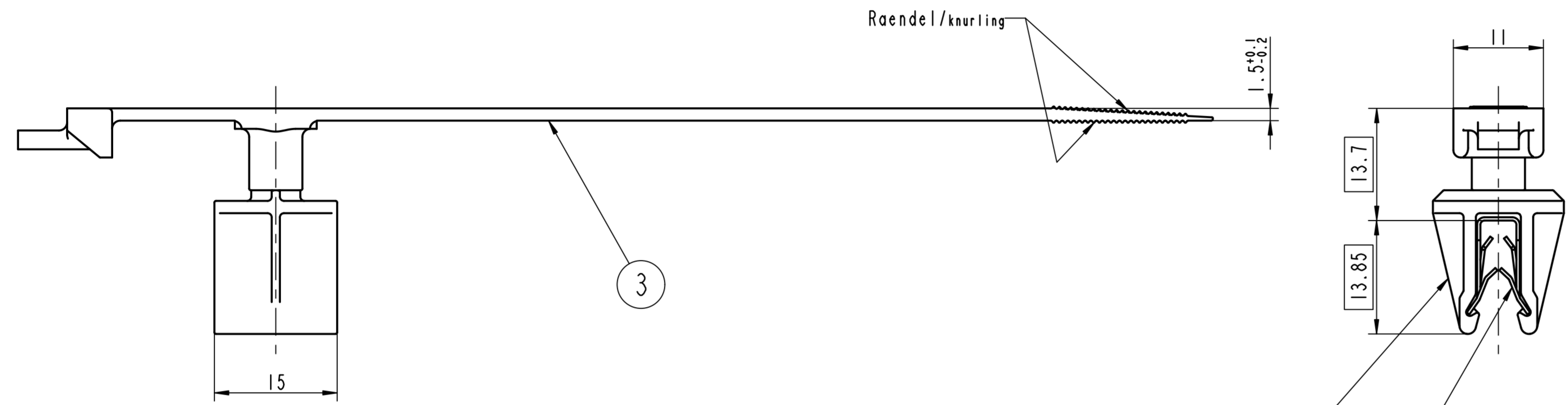
□ = Theoretische Masse,
dienen nur der Werkzeugherstellung
theoretical dimensions are only
used for tool production



passend fuer Kabelbueindel $\varnothing 8 \dots \varnothing 33$
applicable for cable bundle diameter 8 ... 33



1:1



-	-	-	-	-
-	-	-	-	-
-	-	-	-	-
-	-	-	-	-
-	-	-	-	-
-	-	-	-	-
-	-	-	-	-
-	-	-	-	-
-	-	-	-	-
-	-	-	-	-
Ba	-	Erstfreigabe / initial release	15.07.11	kl
Rev.	Anzahl/quantity	Aenderungsbeschreibung / modification description	Datum/date	Name
		ARaymond A RAYMOND GmbH & Co.KG		Teichstrasse 57 Germany - 79511 Loerrach Phone +49 (0) 7621 174-0 Fax +49 (0) 7621 174-225

Bei Verstaendnisproblemen beantragen Sie bitte beim Absender die deutsche Fassung vor jeder Anwendung.
"CONDITIONS OF USE"
This drawing and all information (the "Drawing") disclosed are the exclusive property of ARaymond.
By using this Drawing the Addressee acknowledge and accept that this Drawing
(1) is covered by ARaymond' intellectual property rights or know-how and
(2) is provided under the following conditions who represent a Deposit Agreement.
This Drawing is for Addressee' internal use only limited to its estimation.
Without prior written consent of ARaymond, no permission or rights for any purpose, is hereby granted, such as, without any limitation,
(1) the copy, in part or entirely,
(2) and/or the presentation, in part or entirely, to any other third party outside the Addressee' company or in the company but with no interest
(3) and/or the distribution of the Drawing, in part or entirely, in any medium
(4) and/or the creation of any derivative work.
In case of breach of these conditions, Addressee shall indemnify ARaymond from and against all damages (compensatory or consequential),
costs, expenses and charges, caused or arising out of or attributable to its willful misconduct, fraud, negligence, infringement of
ARaymond' intellectual property rights. If the Addressee does not accept these conditions, please notify ARaymond' sender immediately.

Schutzrechte/ patent rights	vorbehalten / all rights reserved			Classification Code	BACD-	
Ersatz fuer/ substitute for	-	Entw.Ref./ dev.ref.	-	Projekt-Nr./ project no.	63979-K	
Masstab/ scale	Format	Allgemeintoleranz/ general tolerance	Datum/ date	Erstellt von/ prepared by	15.07.2011 Klar	
2:1	A2	±0.5 / ±5°	-	Freigegeben/ approved	20110715084839	
Projektion / projection	ALL DIMENSIONS ARE IN MILLIMETERS		Volumen/ volume (mm³)	2933	Gewicht/ weight (g)	4.3
Bleekdicke/ mat. thickness DIN EN 10140	-	-	-	-	-	
Oberfl./ finish	-	-	-	-	Oberfl. Code/ finish code	-
Werkstoffbehandl./ material treatment	-	-	-	-	-	-
Werkstoff/ material	-	-	-	-	Mat. code	8902

Bezeichnung/ title		Edge Clip / Schlauchhalter drehbar edge clip / hose clip rotatable			
Teil-Nr./ part no.	201174-0-02			Drawing type	C:Customer
Kundenteile-Nr. / customer part no.	-	Blatt / sheet	1 / 1		
CAD system & version	ProE WF3	Dateiname / filename	201174-0C02		

082607-0-00	3	1	013326-0-06	PA 66 - hochschlagzaeh, waermestabil PA 66 - high impact strength, heat stabilized	-	-	schwarz black	SW	0999
	2	1	020511-0-01	C 67 S DIN EN 10 132-4, 0.4 dick/thick austempered 435...535 HV 5	zwischenstufenverguetet 435...535 HV 5 austempered 435...535 HV 5	metallhaltige Korrosionsschutzbeschichtung metallic corrosion protection coated	silber silver, GZ	SI	
	1	1	020653-0-00	POM - C - Standard	-	-	schwarz black	SW	
Teil-Nr. / part. no.	Pos.	Anzahl/ quantity	Einzelteil-Nr. / part. no.	Werkstoff / material	Werkstoffbehandlung / material treatment	Oberflaechenbehandlung / finish	Oberflaeche / Farbe / finish / colour	ZSB-Oberfl. Code finish code	