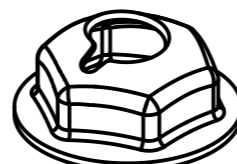
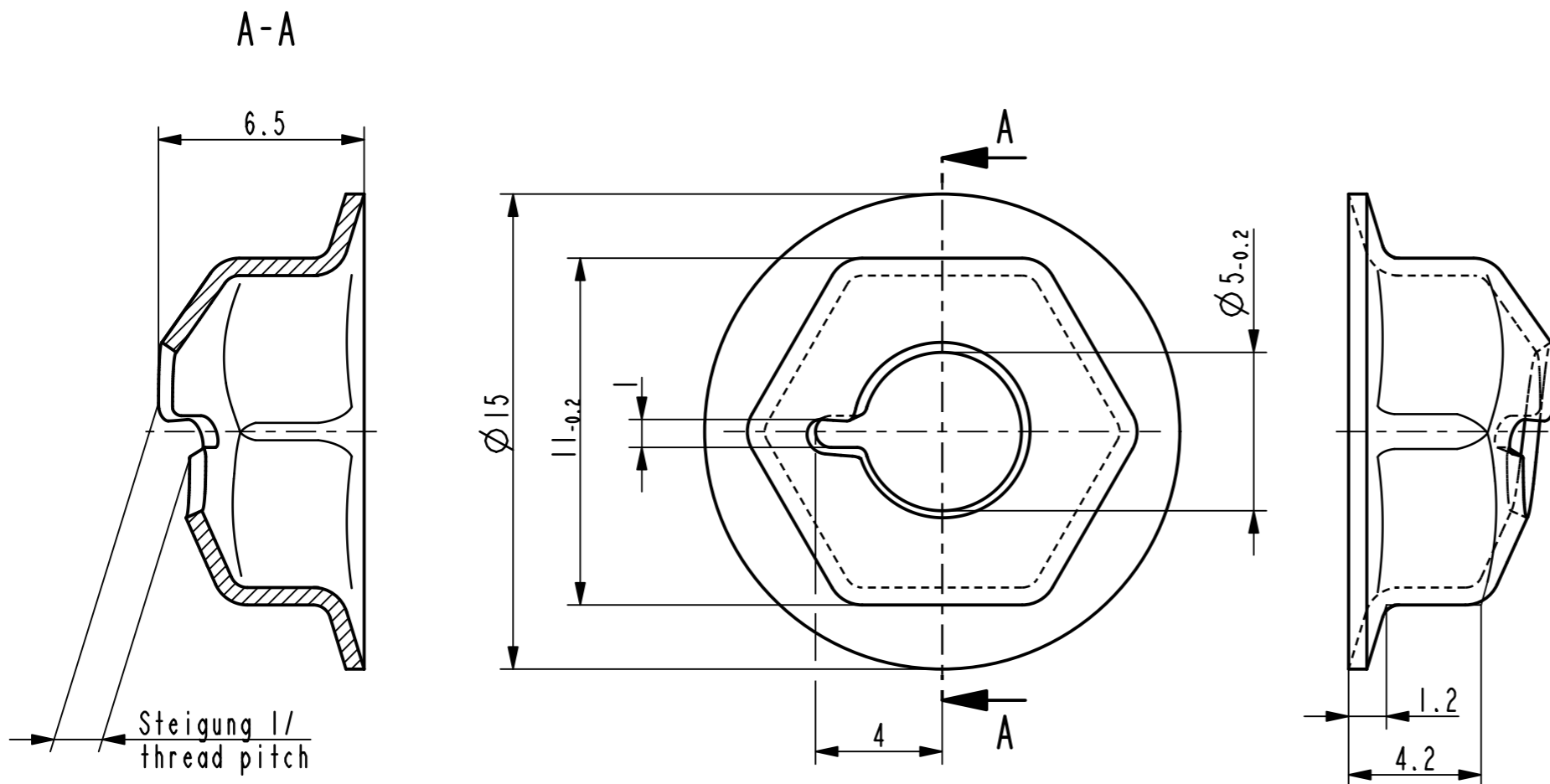


Nur in Verbindung mit oberflaechengehaerteter
M6-Schraube funktionssicher verwendbar ! /
failsafe applicable, only in conjunction with
surface hardened M6-screw !

Vor Auslegung einer automatisierten Verarbeitung des Teils
sollte Ruecksprache mit Fa. A.Raymond gehalten werden.
Fully automatic processing of the part requires prior
consultation with A.Raymond GmbH.



2:1



-	-	-	-	-
-	-	-	-	-
-	-	-	-	-
-	-	-	-	-
-	-	-	-	-
-	-	-	-	-
-	-	-	-	-
-	-	-	-	-
-	-	-	-	-
-	-	-	-	-

Ac	-	Oberflaechenvariante hinzugefuegt	29.09.10	Ru
Rev.	Anzahl/ quantity	Aenderungsbeschreibung / modification description	Datum/date	Name



Teichstrasse 57
Germany - 79511 Loerrach
Phone +49 (0) 7621 174-0
Fax +49 (0) 7621 174-225

Bei Verstaendnisproblemen beantragen Sie bitte beim Absender die deutsche Fassung vor jeder Anwendung.

"CONDITIONS OF USE"

This drawing and all information (the "Drawing") disclosed are the exclusive property of A.Raymond. By using this Drawing the Addressee acknowledges and accepts that this Drawing (1) is covered by A.Raymond' intellectual property rights or know-how and (2) is provided under the following conditions who represent a Deposit Agreement. This Drawing is for Addressee' internal use only limited to its estimation. Without prior written consent of A.Raymond, no permission or rights for any purpose, is hereby granted, such as, without any limitation, (1) the copy, in part or entirely, (2) and/or the presentation, in part or entirely, to any other third party outside the Addressee' company or in the company but with no interest (3) and/or the distribution of the Drawing, in part or entirely, in any medium (4) and/or the creation of any derivative work. In case of breach of these conditions, Addressee shall indemnify A.Raymond from and against all damages (compensatory or consequential), costs, expenses and charges, caused or arising out of or attributable to its willful misconduct, fraud, negligence, infringement of A.Raymond' intellectual property rights. If the Addressee does not accept these conditions, please notify A.Raymond' sender immediately.

Schutzrechte/ patent rights	vorbehalten / all rights reserved			Rasch Code/ classification	AD-CC
--------------------------------	-----------------------------------	--	--	-------------------------------	-------

Ersatz fuer/ substitut for	012148_C_01/Ab/13.04.2010	Entw.Ref./ dev.ref.	Projekt-Nr./ project no.		
-------------------------------	---------------------------	------------------------	-----------------------------	--	--

Masstab/ scale	Format	Allgemeintoleranz/ general tolerance	Datum/ date	29.09.2010	
			Erstellt von/ prepared by	Ruzicka	

Projektion / projection	ALL DIMENSIONS ARE IN MILLIMETERS	Freigegeben/ approved	20100929061714		
Blechdicke/ mat. thickness DIN EN 10140	0.55	Volumen/ volume (mm³)	150.5	Gewicht/ weight (g)	1.2

Oberfl./ finish	metallhaltige Korrosionsschutzbeschichtung, Farbe schwarz metallic corrosion protection coated, colour black			Oberfl. Code/ finish code	5451
--------------------	---	--	--	------------------------------	------

Werkstoffbehandl./ material treatment	zwischenstufenverguetet / austempered 435 ... 535 HV 5				
--	---	--	--	--	--

Werkstoff/ material	C67S DIN EN 10132-4			Mat. code	1000
------------------------	---------------------	--	--	-----------	------

Benennung/ title	<p>Sicherungsmutter fuer Gewinde M6 securing nut for thread M6</p>				
---------------------	--	--	--	--	--

Teil-Nr./ part no.	012148-0-02			Drawing type	Customer
-----------------------	-------------	--	--	--------------	----------

Kundenteile-Nr. / customer part no.	-	Blatt / sheet	1 / 1		
-------------------------------------	---	---------------	-------	--	--

CAD system & version	ProE WF3	Dateiname / filename	012148-0C00		
----------------------	----------	----------------------	-------------	--	--



(Ac) 012148-0-04	verzinkt / passiviert farblos zinc plated / passivated colourless	3250
Teil-Nr. / part no.	Oberflaechе / Farbe / finish / colour	Oberfl. Code/ finish code
Ausfuehrung / Execution		