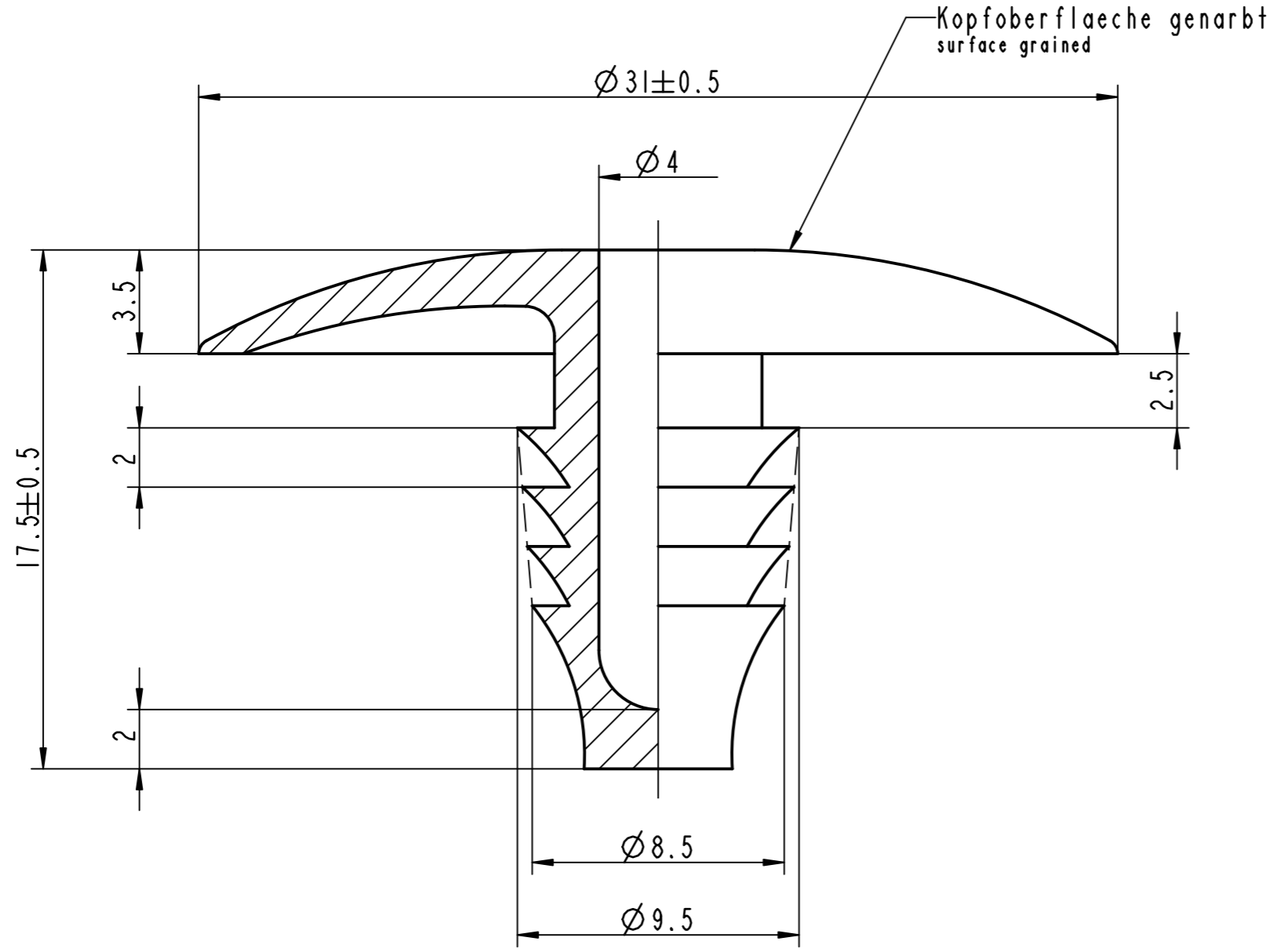
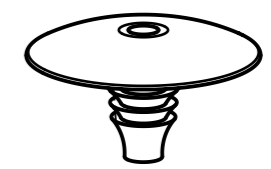


1:1

Befest. - Loch = M10
 Fastening hole
 Befest. - Dicke = 3...6,5
 Fastening thickness



-	-	-	-	-
-	-	-	-	-
-	-	-	-	-
-	-	-	-	-
-	-	-	-	-
-	-	-	-	-

Aa	-	Zeichnung ueberarbeitet nach AR-Gruppenstandard, Teil unveraendert	12.12.13	kl
Rev.	Anzahl/quantity	Aenderungsbeschreibung / modification description	Datum/date	Name



Teichstrasse 57
 Germany - 79511 Loerrach
 Phone +49 (0) 7621 174-0
 Fax +49 (0) 7621 174-225

Bei Verstaendnisproblemen beantragen Sie bitte beim Absender die deutsche Fassung vor jeder Anwendung.
"CONDITIONS OF USE"
 This drawing and all information (the "Drawing") disclosed are the exclusive property of ARaymond. By using this Drawing the Addressee acknowledge and accept that this Drawing (1) is covered by ARaymond' intellectual property rights or know-how and (2) is provided under the following conditions who represent a Deposit Agreement. This Drawing is for Addressee' Internal use only limited to its estimation. Without prior written consent of ARaymond, no permission or rights for any purpose, is hereby granted, such as, without any limitation, (1) the copy, in part or entirely, (2) and/or the presentation, in part or entirely, to any other third party outside the Addressee' company or in the company but with no interest (3) and/or the distribution of the Drawing, in part or entirely, in any medium (4) and/or the creation of any derivative work. In case of breach of these conditions, Addressee shall indemnify ARaymond from and against all damages (compensatory or consequential), costs, expenses and charges, caused or arising out of or attributable to its willful misconduct, fraud, negligence, infringement of ARaymond' intellectual property rights. If the Addressee does not accept these conditions, please notify ARaymond' sender immediately.

Schutzrechte/patent rights	vorbehalten / all rights reserved		Classification Code	CAAA-
Ersatz fuer/substitutue for	016512_C_01/A/20.01.2005	Entw.Ref./dev.ref.	Projekt-Nr./project no.	49725-K

Masstab/scale	Format	Allgemeintoleranz/general tolerance	Datum/date	12.12.2013
5:1	A3	±0.25 / ±3°	Erstellt von/prepared by	Klar

Projektion / projection	ALL DIMENSIONS ARE IN MILLIMETERS	Freigegeben/approved	20131218094652	
	Bleedicke/mat. thickness DIN EN 10140	Volumen/volume (mm³)	1397	Gewicht/weight (g) 1.3

Oberfl./finish	-	Oberfl. Code/finish code	-
----------------	---	--------------------------	---

Werkstoffbehandl./material treatment	-
--------------------------------------	---

Werkstoff/material	PE-LD	Mat. code	4521
--------------------	-------	-----------	------

Benennung/title
Stopfen
 plug

016512-0-01	schwarz black	SW	7001
016512-0-00	stahlgrau steel grey	GA	4001
Teil-Nr. / part no.	Oberflaeche / Farbe / finish / colour	Oberfl. Code/ finish code	
Ausfuhrung / Execution			

Teil-Nr. / part no.	016512-0-00	Drawing type	C:Customer
Kundenteile-Nr. / customer part no.	-	Blatt / sheet	1 / 1
CAD system & version	ProE WF4	Dateiname / filename	016512-0C00