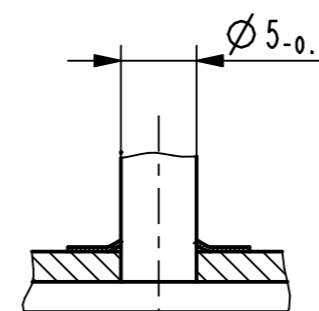
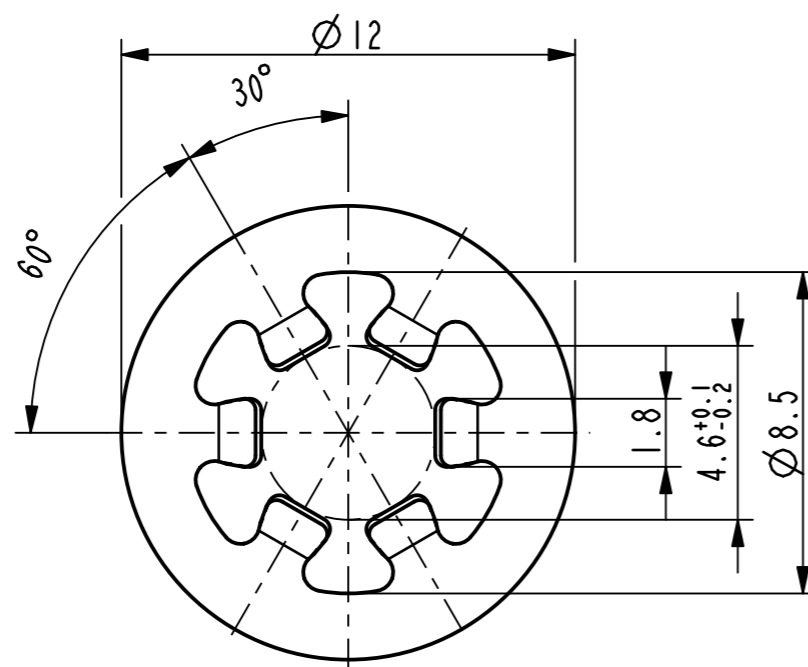
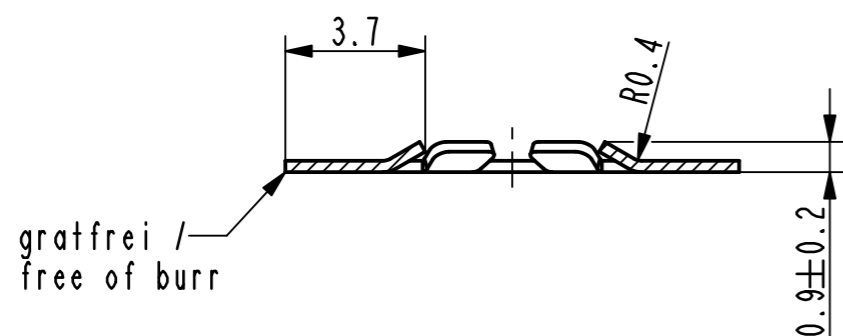




Isometrische Ansicht /
 isometric view
 2:1



Einbausituation /
 assembly situation
 2:1

±0.15

Vor Auslegung einer automatisierten Verarbeitung des Teils sollte Ruecksprache mit Fa. ARaymond gehalten werden.
 Fully automatic processing of the part requires prior consultation with ARaymond.

-	-	-	-	-
-	-	-	-	-
-	-	-	-	-
-	-	-	-	-
-	-	-	-	-
-	-	-	-	-
-	-	-	-	-
-	-	-	-	-
-	-	-	-	-
-	-	-	-	-
-	-	-	-	-

Ab	-	Zeichnung ueberarbeitet nach AR-Gruppenstandard, Teil unveraendert	30.06.11	mj
Rev.	Anzahl/ quantity	Aenderungsbeschreibung / modification description	Datum/date	Name



Teichstrasse 57
 Germany - 79511 Loerrach
 Phone +49 (0) 7621 174-0
 Fax +49 (0) 7621 174-225

Bei Verstaendnisproblemen beantragen Sie bitte beim Absender die deutsche Fassung vor jeder Anwendung.
"CONDITIONS OF USE"
 This drawing and all information (the "Drawing") disclosed are the exclusive property of ARaymond. By using this Drawing the Addressee acknowledges and accepts that this Drawing (1) is covered by ARaymond' intellectual property rights or know-how and (2) is provided under the following conditions who represent a Deposit Agreement. This Drawing is for Addressee' Internal use only limited to its estimation. Without prior written consent of ARaymond, no permission or rights for any purpose, is hereby granted, such as, without any limitation, (1) the copy, in part or entirely, (2) and/or the presentation, in part or entirely, to any other third party outside the Addressee' company or in the company but with no interest (3) and/or the distribution of the Drawing, in part or entirely, in any medium (4) and/or the creation of any derivative work. In case of breach of these conditions, Addressee shall indemnify ARaymond from and against all damages (compensatory or consequential), costs, expenses and charges, caused or arising out of or attributable to its willful misconduct, fraud, negligence, infringement of ARaymond' intellectual property rights. If the Addressee does not accept these conditions, please notify ARaymond' sender immediately.

Intellectual property rights	vorbehalten / all rights reserved		Classification code	
Ersatz fuer/ substitutue for	020586_c_01/Aa/05.03.2007	Entw.Ref./ dev.ref.	Projekt-Nr./ project no.	36222
Maßstab/ scale	Format	Allgemeintoleranz/ general tolerance	Datum/ date	30.06.2011
		±0.3 / ±5°	Erstellt von/ prepared by	M. Junge
Projektion / projection	ALL DIMENSIONS ARE IN MILLIMETERS	Freigegeben/ approved	20110701052959	
	Blechkicke/ mat. thickness DIN EN 10258	0.30	Volumen/ volume (mm³)	23.0
			Gewicht/ weight (g)	0.2

Oberfl./ finish	gewaschen washed	Oberfl. Code/ finish code	6200
--------------------	---------------------	------------------------------	------

Werkstoffbehandl./ material treatment	
--	--

Werkstoff/ material	X10CrNi18-8 DIN EN 10088-2, Mat.-Nr. 1.4310 Festigkeit / tensile strength 1200-1350 N/mm²	Mat. code	2304
------------------------	--	-----------	------

Benennung/ title	Federmutter fuer Bolzen Ø5 spring nut for bolt Ø5
---------------------	--

Teil-Nr./ part no.	020586-0-01	Drawing type	C:Customer
-----------------------	-------------	--------------	------------

Kundenteile-Nr. / customer part no.	-	Blatt / sheet	1 / 1
CAD system & version	ProE WF4	Dateiname / filename	020586-0C00

-	-	-
Teil-Nr. / part no.	Oberflaeche / Farbe / finish / colour	Oberfl. Code/ finish code
Ausfuehrung / Execution		